



Cat® Demolition & Sorting Grapples

for Tracked Excavators

Technical Specifications

Not all attachments are available in all regions. Consult your Cat® dealer for specific configurations available in your region.

Table of Contents

Specifications					2
Dimensions					3
Hydraulic Specifications					4
Matching – Tracked Excavator					5
311F	316F	323E	330 GC	340F UHD	91
312D2	316 GC	323F	330	340 LRE	92
312E	317 GC	323 N	333	340	93
312F	317	323 GC	335F CR	340 UHD	94
313D2 GC	318D2	323	336D2 GC	345 GC	96
313D2	318E	324E	336D2	349D2	96
313F GC	318F	325F CR	336D2 XE	349E	97
313F	320D2 GC	325	336E	349F	98
313 GC	320D2	326D2	336E H	349F XE	98
313	320E	326F	336F	349	98
314E CR	320E RR	326	336F XE	350	99
314F	320F	329D2	336 GC	352F	100
315F CR	320 GC	329E	336	352F XE	100
315	320	330D2	340D2	352	101
316E	323D2	330F	340F	352 UHD	101

Demolition & Sorting Grapples for Tracked Excavators

Specifications

Model	Part Number	Shell Type	Recommended Carrier Weight, Minimum	Recommended Carrier Weight, Maximum	Capacity		Weight		Closing Force		Cycle Time, open	Cycle Time, close
			metric tons	metric tons	L	yd ³	kg	lb	kN	st	seconds	seconds
G212 GC	587-8632	Perforated	10	15	400	0.52	597	1316	36	580	1.1	2.0
G212 GC	587-8643	Perforated	10	15	400	0.52	633	1396	36	580	1.1	2.0
G212 GC	587-8639	Perforated	10	15	400	0.52	641	1413	36	580	1.1	2.0
G213 GC	587-8648	Perforated	12	16	450	0.59	665	1466	36	580	1.1	2.0
G213 GC	587-8655	Perforated	12	12	450	0.59	684	1508	36	580	1.1	2.0
G213 GC	587-8652	Perforated	12	12	450	0.59	692	1526	36	580	1.1	2.0
G217 GC	587-8659	Perforated	15	15	600	0.78	895	1973	52	837	1.2	2.1
G217 GC	587-8658	Perforated	15	15	600	0.78	902	1989	52	837	1.2	2.1
G217 GC	587-8657	Perforated	15	19	600	0.78	924	2037	52	837	1.2	2.1
G312 GC	587-8713	Perforated	11	15	400	0.52	814	1795	36	580	1.1	2.0
G312 GC	587-8715	Perforated	11	15	400	0.52	865	1907	36	580	1.1	2.0
G313 GC	587-8718	Perforated	12	17	450	0.59	845	1863	36	580	1.1	2.0
G313 GC	587-8719	Perforated	12	17	450	0.59	895	1973	36	580	1.1	2.0
G314	587-8963	Skeleton	12	18	375	0.49	1060	2337	36	580	1.1	2.1
G317 GC	587-8720	Perforated	17	25	600	0.78	1142	2518	52	837	1.2	2.1
G317 GC	587-8721	Perforated	17	25	600	0.78	1200	2646	52	837	1.2	2.1
G318	587-8965	Skeleton	18	25	550	0.72	1310	2888	52	837	1.1	2.1
G318	587-8966	Perforated	18	25	600	0.78	1308	2884	52	837	1.2	2.1
G318	595-1393	Closed	18	25	600	0.78	1323	2917	52	837	1.2	2.1
G318 WH	587-8970	Closed	20	25	800	1.05	1447	3190	47	757	1.2	2.1
G318 WH	587-8975	Perforated	20	25	800	1.05	1447	3190	47	757	1.2	2.1
G318 WH	587-8976	Perforated	20	25	1100	1.44	1619	3569	47	757	1.2	2.1
G324	587-8977	Skeleton	23	30	750	0.98	1787	3940	66	1063	1.3	2.2
G324	587-8978	Perforated	23	30	800	1.05	1732	3818	66	1063	1.3	2.2
G324 WH	587-8985	Perforated	23	30	1500	1.96	2004	4418	53	853	1.3	2.2
G324 WH	587-8986	Perforated	23	30	1800	2.35	2104	4639	53	853	1.3	2.2
G324 WH	587-8988	Perforated	23	30	2000	2.62	2205	4861	53	853	1.3	2.2
G332	587-8991	Skeleton	30	40	850	1.11	2073	4570	66	1063	1.3	2.2
G332	587-8994	Perforated	30	40	900	1.18	2038	4493	66	1063	1.3	2.2
G345	608-0756	Skeleton	30	65	1000	1.31	2421	5337	88	1417	1.1	2.1



Skeleton Shell



Perforated Shell

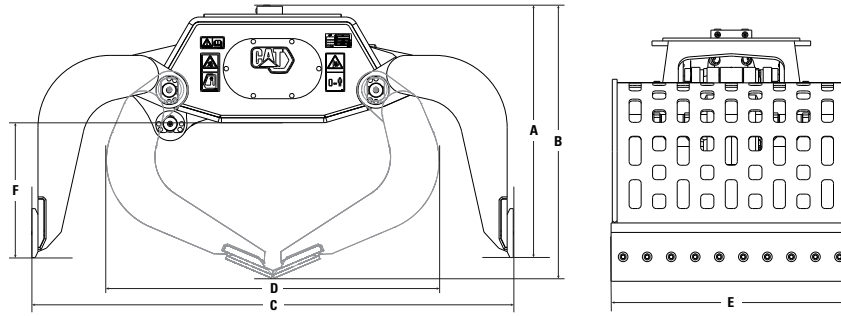


Closed Shell

Demolition & Sorting Grapples for Tracked Excavators

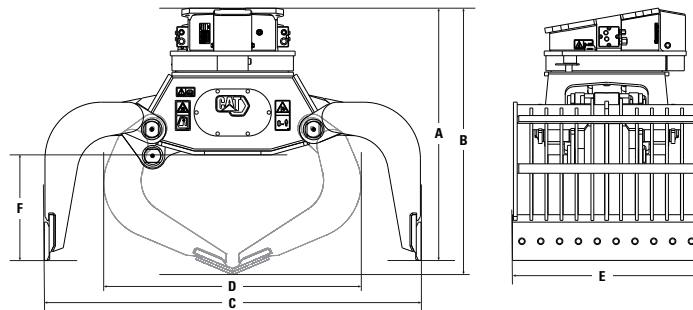
Dimensions

G200 Series Grapples



Model	Part Number	(A) Height, open		(B) Height, closed		(C) Spread, open		(D) Spread, open		(E) Shell Width		(F) Height	
		mm	in	mm	in	mm	in	mm	in	mm	in	mm	in
G212 GC	587-8632	896	35.3	980	38.6	1788	70.4	1228	48.3	850	33.5	514	20.2
G212 GC	587-8643	1082	42.6	1171	46.1	1800	70.9	1228	48.3	850	33.5	514	20.2
G212 GC	587-8639	1082	42.6	1171	46.1	1800	70.9	1228	48.3	850	33.5	514	20.2
G213 GC	587-8648	896	35.3	980	38.6	1800	70.9	1228	48.3	950	37.4	514	20.2
G213 GC	587-8655	1082	42.6	1171	46.1	1800	70.9	1228	48.3	950	37.4	514	20.2
G213 GC	587-8652	1082	42.6	1171	46.1	1800	70.9	1228	48.3	950	37.4	514	20.2
G217 GC	587-8659	1168	46.0	1265	49.8	2000	78.7	1360	53.5	1000	39.4	565	22.2
G217 GC	587-8658	1168	46.0	1265	49.8	2000	78.7	1360	53.5	1000	39.4	565	22.2
G217 GC	587-8657	1000	39.4	1097	43.2	2000	78.7	1360	53.5	1000	39.4	560	22.0

G300 Series Grapples



Model	Part Number	(A) Height, open		(B) Height, closed		(C) Spread, open		(D) Spread, closed		(E) Shell Width		(F) Height	
		mm	in	mm	in	mm	in	mm	in	mm	in	mm	in
G312 GC	587-8713	1223	48.1	1315	51.8	1788	70.4	1227	48.3	850	33.5	513	20.2
G312 GC	587-8715	1272	50.1	1365	53.7	1788	70.4	1227	48.3	850	33.5	513	20.2
G313 GC	587-8718	1223	48.1	1315	51.8	1800	70.9	1227	48.3	950	37.4	513	20.2
G313 GC	587-8719	1272	50.1	1365	53.7	1800	70.9	1227	48.3	950	37.4	513	20.2
G314	587-8963	1237	48.7	1328	52.3	1800	70.9	1225	48.2	850	33.5	515	20.3
G317 GC	587-8720	1321	52.0	1422	56.0	2000	78.7	1360	53.5	1000	39.4	560	22.0
G317 GC	587-8721	1376	54.2	1477	58.1	2000	78.7	1360	53.5	1000	39.4	560	22.0
G318	587-8965	1340	52.8	1440	56.7	2000	78.7	1375	54.1	1000	39.4	560	22.0
G318	587-8966	1340	52.8	1440	56.7	2000	78.7	1360	53.5	1000	39.4	560	22.0
G318	595-1393	1340	52.8	1440	56.7	2000	78.7	1360	53.5	1000	39.4	560	22.0
G318 WH	587-8970	1386	54.6	1550	61.0	2200	86.6	1408	55.4	1100	43.3	607	23.9
G318 WH	587-8975	1386	54.6	1550	61.0	2200	86.6	1408	55.4	1100	43.3	607	23.9
G318 WH	587-8976	1386	54.6	1550	61.0	2200	86.6	1408	55.4	1500	59.1	607	23.9
G324	587-8977	1484	58.4	1584	62.4	2200	86.6	1540	60.6	1100	43.3	623	24.5
G324	587-8978	1484	58.4	1584	62.4	2200	86.6	1509	59.4	1100	43.3	623	24.5
G324 WH	587-8985	1574	62.0	1844	72.6	2700	106.3	1690	66.5	1350	53.1	714	28.1
G324 WH	587-8986	1574	62.0	1844	72.6	2700	106.3	1690	66.5	1550	61.0	714	28.1
G324 WH	587-8988	1574	62.0	1844	72.6	2700	106.3	1690	66.5	1750	68.9	714	28.1
G332	587-8991	1484	58.4	1584	62.4	2200	86.6	1540	60.6	1350	53.1	618	24.3
G332	587-8994	1484	58.4	1584	62.4	2200	86.6	1540	60.6	1350	53.1	618	24.3
G345	608-0756	1286	50.6	1407	55.4	2350	92.5	1586	62.4	1350	53.1	655	25.8

Demolition & Sorting Grapples for Tracked Excavators

Hydraulic Specifications

Model	Part Number	Operating Oil Flow, Open/Close		Maximum Operating Pressure, Open/Close		Operating Oil Flow, Rotation		Maximum Operating Pressure, Rotation*		Recommended Operating Pressure, Rotation	
		L	gpm	kpa	psi	L	gpm	kpa	psi	kpa	psi
G212 GC	587-8632	60	16	35000	5075						
G212 GC	587-8643	60	16	35000	5075						
G212 GC	587-8639	60	16	35000	5075						
G213 GC	587-8648	60	16	35000	5075						
G213 GC	587-8655	60	16	35000	5075						
G213 GC	587-8652	60	16	35000	5075						
G217 GC	587-8659	90	24	35000	5075						
G217 GC	587-8658	90	24	35000	5075						
G217 GC	587-8657	90	24	35000	5075						
G312 GC	587-8713	60	16	35000	5075	40	10.4	22000	3190	14000	2030
G312 GC	587-8715	60	16	35000	5075	40	10.4	22000	3190	14000	2030
G313 GC	587-8718	60	16	35000	5075	40	10.4	22000	3190	14000	2030
G313 GC	587-8719	60	16	35000	5075	40	10.4	22000	3190	14000	2030
G314	587-8963	60	16	35000	5075	40	10.4	22000	3190	14000	2030
G317 GC	587-8720	90	24	35000	5075	40	10.4	22000	3190	14000	2030
G317 GC	587-8721	90	24	35000	5075	40	10.4	22000	3190	14000	2030
G318	587-8965	90	24	35000	5075	40	10.4	22000	3190	14000	2030
G318	587-8966	90	24	35000	5075	40	10.4	22000	3190	14000	2030
G318	595-1393	90	24	35000	5075	40	10.4	22000	3190	14000	2030
G318 WH	587-8970	90	24	35000	5075	40	10.4	22000	3190	14000	2030
G318 WH	587-8975	90	24	35000	5075	40	10.4	22000	3190	14000	2030
G318 WH	587-8976	90	24	35000	5075	40	10.4	22000	3190	14000	2030
G324	587-8977	120	32	35000	5075	40	10.4	22000	3190	14000	2030
G324	587-8978	120	32	35000	5075	40	10.4	22000	3190	14000	2030
G324 WH	587-8985	120	32	35000	5075	40	10.4	22000	3190	14000	2030
G324 WH	587-8986	120	32	35000	5075	40	10.4	22000	3190	14000	2030
G324 WH	587-8988	120	32	35000	5075	40	10.4	22000	3190	14000	2030
G332	587-8991	120	32	35000	5075	40	10.4	22000	3190	14000	2030
G332	587-8994	120	32	35000	5075	40	10.4	22000	3190	14000	2030
G345	608-0756	160	42	35000	5075	40	10.4	22000	3190	14000	2030

* This setting may be used in the case of a cab riser.

Demolition & Sorting Grapples for Tracked Excavators

Matching – Tracked Excavator

Match
 * Working range front only
 No Match

311F

Pin-on

Undercarriage	L
Counterweight	-
Boom Type	Reach
Stick Length	2.25 m (7'5")
G312 GC	✓
G314	✓

S60 Dedicated Coupler

Undercarriage	L
Counterweight	-
Boom Type	Reach
Stick Length	2.25 m (7'5")
G312 GC	✓

312D2

Pin-on

Undercarriage	-		L	
Counterweight	-		-	
Boom Type	Reach		Reach	
Stick Length	2.50 m (8'2")	3.00 m (9'10")	2.50 m (8'2")	3.00 m (9'10")
G312 GC			✓	
G313 GC			✓	
G314	✓	✓*	✓	✓*

Pin Grabber Coupler

Undercarriage	L
Counterweight	-
Boom Type	Reach
Stick Length	2.50 m (8'2")
G312 GC	✓
G313 GC	✓*
G314	✓*

CW-20s Dedicated Coupler

Undercarriage	L
Counterweight	-
Boom Type	Reach
Stick Length	2.50 m (8'2")
G312 GC	✓
G313 GC	✓
G314	✓*

(continued on next page)

Demolition & Sorting Grapples for Tracked Excavators

Matching – Tracked Excavator (continued)

Match
 * Working range front only
 No Match

312D2, continued

CW-20 Dedicated Coupler

Undercarriage	L
Counterweight	-
Boom Type	Reach
Stick Length	2.50 m (8'2")
G312 GC	✓
G312 GC-fixed CAN	✓
G313 GC	✓*
G313 GC-fixed CAN	✓
G314	✓*

312E

Pin-on

Undercarriage	-		L			
Counterweight	-		-			
Boom Type	Reach			Reach		
Stick Length	2.50 m (8'2")	3.00 m (9'10")	2.10 m (6'11")	2.50 m (8'2")	2.80 m (9'2")	3.00 m (9'10")
G312 GC			✓	✓	✓	✓
G313 GC			✓	✓	✓	✓
G314	✓	✓	✓	✓	✓	✓*

Pin Grabber Coupler

Undercarriage	-	L			
Counterweight	-	-			
Boom Type	Reach	Reach			
Stick Length	2.50 m (8'2")	2.10 m (6'11")	2.50 m (8'2")	2.80 m (9'2")	3.00 m (9'10")
G312 GC		✓	✓	✓	✓*
G313 GC		✓	✓	✓*	
G314	✓*	✓	✓*		

CW-20s Dedicated Coupler

Undercarriage	L			
Counterweight	-			
Boom Type	Reach			
Stick Length	2.10 m (6'11")	2.50 m (8'2")	2.80 m (9'2")	3.00 m (9'10")
G312 GC	✓	✓	✓	✓
G313 GC	✓	✓	✓*	
G314	✓			

CW-20 Dedicated Coupler

Undercarriage	L			
Counterweight	-			
Boom Type	Reach			
Stick Length	2.10 m (6'11")	2.50 m (8'2")	2.80 m (9'2")	3.00 m (9'10")
G312 GC	✓	✓	✓	✓
G312 GC-fixed CAN	✓	✓	✓	✓
G313 GC	✓	✓	✓*	
G313 GC-fixed CAN	✓	✓	✓	✓*
G314	✓			

(continued on next page)

Demolition & Sorting Grapples for Tracked Excavators

Matching – Tracked Excavator (continued)

Match
 * Working range front only
 No Match

312F

Pin-on

Undercarriage	-			
Counterweight	-			
Boom Type	Reach			
Stick Length	2.10 m (6'11")	2.50 m (8'2")	2.80 m (9'2")	3.00 m (9'10")
G312 GC	✓	✓	✓	✓
G313 GC	✓	✓	✓	✓
G314	✓	✓	✓	✓*

Pin Grabber Coupler

Undercarriage	-			
Counterweight	-			
Boom Type	Reach			
Stick Length	2.10 m (6'11")	2.50 m (8'2")	2.80 m (9'2")	3.00 m (9'10")
G312 GC	✓	✓	✓	✓*
G313 GC	✓	✓	✓*	
G314	✓	✓*		

CW-20s Dedicated Coupler

Undercarriage	-			
Counterweight	-			
Boom Type	Reach			
Stick Length	2.10 m (6'11")	2.50 m (8'2")	2.80 m (9'2")	3.00 m (9'10")
G312 GC	✓	✓	✓	✓
G313 GC	✓	✓	✓*	
G314	✓	✓*		

CW-20 Dedicated Coupler

Undercarriage	-			
Counterweight	-			
Boom Type	Reach			
Stick Length	2.10 m (6'11")	2.50 m (8'2")	2.80 m (9'2")	3.00 m (9'10")
G312 GC	✓	✓	✓	✓*
G312 GC-fixed CAN	✓	✓	✓	✓
G313 GC	✓	✓	✓*	
G313 GC-fixed CAN	✓	✓	✓*	✓*
G314	✓	✓*		

TRS10-CW-20s

Undercarriage	-		
Counterweight	-		
Boom Type	Reach		
Stick Length	2.10 m (6'11")	2.50 m (8'2")	2.80 m (9'2")
G212 GC	✓	✓*	
G212 GC-fixed CAN	✓	✓	✓*

(continued on next page)

Demolition & Sorting Grapples for Tracked Excavators

Matching – Tracked Excavator (continued)

Match
 * Working range front only
 No Match

312F, continued

TRS10-CW-20

Undercarriage	-		
Counterweight	-		
Boom Type	Reach		
Stick Length	2.10 m (6'11")	2.50 m (8'2")	2.80 m (9'2")
G212 GC	✓	✓*	
G212 GC-fixed CAN	✓	✓	✓*

TRS10-S60

Undercarriage	-			
Counterweight	-			
Boom Type	Reach			
Stick Length	2.10 m (6'11")	2.50 m (8'2")	2.80 m (9'2")	3.00 m (9'10")
G212 GC	✓	✓	✓	✓*

313D2 GC

Pin-on

Undercarriage	-
Counterweight	-
Boom Type	Reach
Stick Length	2.50 m (8'2")
G314	✓*

313D2

Pin-on

Undercarriage	L
Counterweight	-
Boom Type	Reach HD
Stick Length	2.50 m HD (8'2")
G312 GC	✓
G313 GC	✓
G314	✓

Pin Grabber Coupler

Undercarriage	L
Counterweight	-
Boom Type	Reach HD
Stick Length	2.50 m HD (8'2")
G312 GC	✓
G313 GC	✓*

CW-20s Dedicated Coupler

Undercarriage	L
Counterweight	-
Boom Type	Reach HD
Stick Length	2.50 m HD (8'2")
G312 GC	✓
G313 GC	✓*

(continued on next page)

Demolition & Sorting Grapples for Tracked Excavators

Matching – Tracked Excavator (continued)

Match * Working range front only No Match

313D2, continued

CW-20 Dedicated Coupler

Undercarriage	L
Counterweight	-
Boom Type	Reach HD
Stick Length	2.50 m HD (8'2")
G312 GC	✓
G312 GC-fixed CAN	✓
G313 GC	✓*
G313 GC-fixed CAN	✓*

313F GC

Pin-on

Undercarriage	L		L w/blade	
Counterweight	-		-	
Boom Type	Reach		Reach	
Stick Length	2.50 m (8'2")	3.00 m (9'10")	2.50 m (8'2")	3.00 m (9'10")
G312 GC	✓	✓	✓	✓
G313 GC	✓	✓	✓	✓
G314	✓	✓	✓	✓

Pin Grabber Coupler

Undercarriage	L		L w/blade	
Counterweight	-		-	
Boom Type	Reach		Reach	
Stick Length	2.50 m (8'2")	3.00 m (9'10")	2.50 m (8'2")	3.00 m (9'10")
G312 GC	✓	✓*	✓	✓
G313 GC	✓		✓	✓*
G314	✓*		✓	

CW-20s Dedicated Coupler

Undercarriage	L		L w/blade	
Counterweight	-		-	
Boom Type	Reach		Reach	
Stick Length	2.50 m (8'2")	3.00 m (9'10")	2.50 m (8'2")	3.00 m (9'10")
G312 GC	✓	✓	✓	✓
G313 GC	✓		✓	

CW-20 Dedicated Coupler

Undercarriage	L		L w/blade	
Counterweight	-		-	
Boom Type	Reach		Reach	
Stick Length	2.50 m (8'2")	3.00 m (9'10")	2.50 m (8'2")	3.00 m (9'10")
G312 GC	✓	✓*	✓	✓
G312 GC-fixed CAN	✓	✓	✓	✓
G313 GC	✓		✓	
G313 GC-fixed CAN	✓		✓	

(continued on next page)

Demolition & Sorting Grapples for Tracked Excavators

Matching – Tracked Excavator (continued)

Match * Working range front only No Match

313F GC, continued

S60 Dedicated Coupler

Undercarriage	L		L w/blade	
Counterweight	-		-	
Boom Type	Reach		Reach	
Stick Length	2.50 m (8'2")	3.00 m (9'10")	2.50 m (8'2")	3.00 m (9'10")
G312 GC	✓	✓	✓	✓
G313 GC	✓		✓	✓
G314	✓		✓	✓*

313F

Pin-on

Undercarriage	-			L				
Counterweight	-			-				
Boom Type	Reach			Reach				
Stick Length	2.10 m (6'11")	2.50 m (8'2")	3.00 m (9'10")	2.10 m (6'11")	2.50 m (8'2")	2.80 m (9'2")	3.00 m (9'10")	3.00 m TR (9'10")
G312 GC	✓	✓	✓	✓	✓		✓	
G313 GC	✓	✓	✓	✓	✓		✓	
G314	✓	✓	✓*	✓	✓	✓	✓	✓

Pin Grabber Coupler

Undercarriage	-			L		
Counterweight	-			-		
Boom Type	Reach			Reach		
Stick Length	2.10 m (6'11")	2.50 m (8'2")	3.00 m (9'10")	2.10 m (6'11")	2.50 m (8'2")	3.00 m (9'10")
G312 GC	✓	✓	✓*	✓	✓	✓
G313 GC	✓	✓		✓	✓	
G314	✓	✓		✓	✓*	

CW-20s Dedicated Coupler

Undercarriage	-			L		
Counterweight	-			-		
Boom Type	Reach			Reach		
Stick Length	2.10 m (6'11")	2.50 m (8'2")	3.00 m (9'10")	2.10 m (6'11")	2.50 m (8'2")	3.00 m (9'10")
G312 GC	✓	✓	✓	✓	✓	✓
G313 GC	✓	✓		✓	✓	✓*
G314	✓	✓*		✓	✓	

CW-20 Dedicated Coupler

Undercarriage	-			L		
Counterweight	-			-		
Boom Type	Reach			Reach		
Stick Length	2.10 m (6'11")	2.50 m (8'2")	3.00 m (9'10")	2.10 m (6'11")	2.50 m (8'2")	3.00 m (9'10")
G312 GC	✓	✓	✓*	✓	✓	✓
G312 GC-fixed CAN	✓	✓	✓	✓	✓	✓
G313 GC	✓	✓		✓	✓	
G313 GC-fixed CAN	✓	✓	✓*	✓	✓	✓*
G314	✓	✓*		✓	✓*	

(continued on next page)

Demolition & Sorting Grapples for Tracked Excavators

Matching – Tracked Excavator (continued)

Match * Working range front only No Match

313F, continued

S60 Dedicated Coupler

Undercarriage	-			L		
Counterweight	-			-		
Boom Type	Reach			Reach		
Stick Length	2.10 m (6'11")	2.50 m (8'2")	3.00 m (9'10")	2.10 m (6'11")	2.50 m (8'2")	3.00 m (9'10")
G312 GC	✓	✓	✓	✓	✓	✓
G312 GC-fixed CAN	✓	✓		✓	✓	✓*
G313 GC	✓	✓*		✓	✓	

TRS10-CW-20s

Undercarriage	-		L		
Counterweight	-		-		
Boom Type	Reach		Reach		
Stick Length	2.10 m (6'11")	2.50 m (8'2")	2.10 m (6'11")	2.50 m (8'2")	3.00 m (9'10")
G312 GC	✓	✓*	✓	✓	
G312 GC-fixed CAN	✓	✓	✓	✓	✓*

TRS10-CW-20

Undercarriage	-		L		
Counterweight	-		-		
Boom Type	Reach		Reach		
Stick Length	2.10 m (6'11")	2.50 m (8'2")	2.10 m (6'11")	2.50 m (8'2")	3.00 m (9'10")
G312 GC	✓	✓*	✓	✓	
G312 GC-fixed CAN	✓	✓	✓	✓	✓*

TRS10-S60

Undercarriage	-			L		
Counterweight	-			-		
Boom Type	Reach			Reach		
Stick Length	2.10 m (6'11")	2.50 m (8'2")	3.00 m (9'10")	2.10 m (6'11")	2.50 m (8'2")	3.00 m (9'10")
G312 GC	✓	✓	✓*	✓	✓	✓*

313 GC

Pin-on

Undercarriage	L		
Counterweight	2.4 mt		
Boom Type	Reach		
Stick Length	2.50 m (8'2")	2.80 m (9'2")	3.00 m (9'10")
G312 GC	✓		✓
G313 GC	✓		✓*
G314	✓	✓*	

Pin Grabber Coupler

Undercarriage	L
Counterweight	2.4 mt
Boom Type	Reach
Stick Length	2.50 m (8'2")
G312 GC	✓
G313 GC	✓*

(continued on next page)

Demolition & Sorting Grapples for Tracked Excavators

Matching – Tracked Excavator (continued)

Match
 * Working range front only
 No Match

313 GC, continued

CW-20s Dedicated Coupler

Undercarriage	L	
Counterweight	2.4 mt	
Boom Type	Reach	
Stick Length	2.50 m (8'2")	3.00 m (9'10")
G312 GC	✓	✓*
G313 GC	✓*	
G314	✓*	

CW-20 Dedicated Coupler

Undercarriage	L	
Counterweight	2.4 mt	
Boom Type	Reach	
Stick Length	2.50 m (8'2")	3.00 m (9'10")
G312 GC	✓	✓*
G312 GC-fixed CAN	✓	✓*
G313 GC	✓*	
G313 GC-fixed CAN	✓	

S60 Dedicated Coupler

Undercarriage	L	
Counterweight	2.4 mt	
Boom Type	Reach	
Stick Length	2.50 m (8'2")	3.00 m (9'10")
G312 GC	✓	✓*
G313 GC	✓*	
G314	✓*	

TRS10-CW-20s

Undercarriage	L
Counterweight	2.4 mt
Boom Type	Reach
Stick Length	2.50 m (8'2")
G212 GC-fixed CAN	✓*

TRS10-CW-20

Undercarriage	L
Counterweight	2.4 mt
Boom Type	Reach
Stick Length	2.50 m (8'2")
G212 GC-fixed CAN	✓*

TRS10-S60

Undercarriage	L
Counterweight	2.4 mt
Boom Type	Reach
Stick Length	2.50 m (8'2")
G212 GC	✓

(continued on next page)

Demolition & Sorting Grapples for Tracked Excavators

Matching – Tracked Excavator (continued)

Match * Working range front only No Match

313

Pin-on

Undercarriage	L				
Counterweight	2.4 mt				
Boom Type	Reach				
Stick Length	2.20 m (7'3")	2.50 m (8'2")	2.80 m (9'2")	2.80 m TR (9'2")	3.00 m (9'10")
G312 GC	✓	✓			✓
G313 GC	✓	✓			✓*
G314	✓	✓	✓*	✓*	✓*

Pin Grabber Coupler

Undercarriage	L	
Counterweight	2.4 mt	
Boom Type	Reach	
Stick Length	2.20 m (7'3")	2.50 m (8'2")
G312 GC	✓	✓
G313 GC	✓*	✓*

CW-20s Dedicated Coupler

Undercarriage	L			
Counterweight	2.4 mt			
Boom Type	Reach			VA
Stick Length	2.20 m (7'3")	2.50 m (8'2")	3.00 m (9'10")	2.20 m (7'3")
G312 GC	✓	✓	✓*	✓*
G313 GC	✓	✓		
G314	✓*	✓*		

CW-20 Dedicated Coupler

Undercarriage	L			
Counterweight	2.4 mt			
Boom Type	Reach			VA
Stick Length	2.20 m (7'3")	2.50 m (8'2")	3.00 m (9'10")	2.20 m (7'3")
G312 GC	✓	✓	✓*	✓*
G312 GC-fixed CAN	✓	✓	✓	
G313 GC	✓*	✓*		
G313 GC-fixed CAN	✓	✓		
G314	✓*	✓*		

S60 Dedicated Coupler

Undercarriage	L		
Counterweight	2.4 mt		
Boom Type	Reach		
Stick Length	2.20 m (7'3")	2.50 m (8'2")	3.00 m (9'10")
G312 GC	✓	✓	✓*
G313 GC	✓	✓	
G314	✓*	✓*	

(continued on next page)

Demolition & Sorting Grapples for Tracked Excavators

Matching – Tracked Excavator (continued)

Match * Working range front only No Match

313, continued

TRS10-CW-20s

Undercarriage	L	
Counterweight	2.4 mt	
Boom Type	Reach	
Stick Length	2.20 m (7'3")	2.50 m (8'2")
G212 GC	✓*	✓*
G212 GC-fixed CAN	✓	✓*
G213 GC-fixed CAN	✓*	

TRS10-CW-20

Undercarriage	L	
Counterweight	2.4 mt	
Boom Type	Reach	
Stick Length	2.20 m (7'3")	2.50 m (8'2")
G212 GC	✓*	✓*
G212 GC-fixed CAN	✓	✓
G213 GC-fixed CAN	✓*	✓*

TRS10-S60

Undercarriage	L	
Counterweight	2.4 mt	
Boom Type	Reach	
Stick Length	2.20 m (7'3")	2.50 m (8'2")
G212 GC	✓	✓
G213 GC	✓*	✓*

314E CR

Pin-on

Undercarriage	-		L					
Counterweight	3.56 mt		3.06 mt			3.56 mt		
Boom Type	Reach		Reach			Reach		
Stick Length	2.50 m (8'2")	3.00 m (9'10")	2.10 m (6'11")	2.50 m (8'2")	2.80 m (9'2")	3.00 m (9'10")	2.10 m (6'11")	2.50 m (8'2")
G312 GC			✓	✓		✓	✓	✓
G313 GC			✓	✓		✓	✓	✓
G314	✓	✓	✓	✓	✓	✓*	✓	✓

Pin-on (continued)

Undercarriage	L			
Counterweight	3.56 mt			
Boom Type	Reach		VA	
Stick Length	2.80 m (9'2")	3.00 m (9'10")	2.10 m (6'11")	2.50 m (8'2")
G312 GC		✓	✓	✓
G313 GC		✓	✓	✓
G314	✓	✓	✓	✓

(continued on next page)

Demolition & Sorting Grapples for Tracked Excavators

Matching – Tracked Excavator (continued)

Match * Working range front only No Match

314E CR, continued Pin Grabber Coupler

Undercarriage	L					
Counterweight	3.06 mt			3.56 mt		
Boom Type	Reach			Reach		
Stick Length	2.10 m (6'11")	2.50 m (8'2")	3.00 m (9'10")	2.10 m (6'11")	2.50 m (8'2")	3.00 m (9'10")
G312 GC	✓	✓	✓*	✓	✓	✓

CW-20s Dedicated Coupler

Undercarriage	L						
Counterweight	3.06 mt			3.56 mt			
Boom Type	Reach			Reach			VA
Stick Length	2.10 m (6'11")	2.50 m (8'2")	3.00 m (9'10")	2.10 m (6'11")	2.50 m (8'2")	3.00 m (9'10")	2.10 m (6'11")
G312 GC	✓	✓	✓*	✓	✓	✓	✓
G313 GC	✓	✓		✓	✓	✓*	✓
G314	✓			✓			

CW-20 Dedicated Coupler

Undercarriage	L							
Counterweight	3.06 mt			3.56 mt				
Boom Type	Reach			Reach			VA	
Stick Length	2.10 m (6'11")	2.50 m (8'2")	3.00 m (9'10")	2.10 m (6'11")	2.50 m (8'2")	3.00 m (9'10")	2.10 m (6'11")	2.50 m (8'2")
G312 GC	✓	✓	✓*	✓	✓	✓		
G312 GC-fixed CAN	✓	✓	✓	✓	✓	✓	✓	✓
G313 GC	✓	✓*		✓	✓	✓*		
G313 GC-fixed CAN							✓	
G314	✓			✓				

314F Pin-on

Undercarriage	L			
Counterweight	-			
Boom Type	Reach			
Stick Length	2.50 m (8'2")	2.80 m (9'2")	3.00 m (9'10")	3.00 m TR (9'10")
G312 GC	✓		✓	
G313 GC	✓		✓	
G314	✓	✓	✓	✓

Pin Grabber Coupler

Undercarriage	L	
Counterweight	-	
Boom Type	Reach	
Stick Length	2.50 m (8'2")	3.00 m (9'10")
G312 GC	✓	✓
G313 GC	✓	
G314	✓*	

CW-20s Dedicated Coupler

Undercarriage	L	
Counterweight	-	
Boom Type	Reach	
Stick Length	2.50 m (8'2")	3.00 m (9'10")
G312 GC	✓	✓
G313 GC	✓	✓*
G314	✓	

(continued on next page)

Demolition & Sorting Grapples for Tracked Excavators

Matching – Tracked Excavator (continued)

Match * Working range front only No Match

314F, continued

CW-20 Dedicated Coupler

Undercarriage	L	
Counterweight	-	
Boom Type	Reach	
Stick Length	2.50 m (8'2")	3.00 m (9'10")
G312 GC	✓	✓
G312 GC-fixed CAN	✓	✓
G313 GC	✓	
G313 GC-fixed CAN	✓	✓*
G314	✓*	

TRS10-CW-20s

Undercarriage	L	
Counterweight	-	
Boom Type	Reach	
Stick Length	2.50 m (8'2")	3.00 m (9'10")
G212 GC	✓	
G212 GC-fixed CAN	✓	✓*

TRS10-CW-20

Undercarriage	L	
Counterweight	-	
Boom Type	Reach	
Stick Length	2.50 m (8'2")	3.00 m (9'10")
G212 GC	✓	
G212 GC-fixed CAN	✓	✓*

TRS10-S60

Undercarriage	L	
Counterweight	-	
Boom Type	Reach	
Stick Length	2.50 m (8'2")	3.00 m (9'10")
G212 GC	✓	✓*

315F CR

Pin-on

Undercarriage	L				
Counterweight	-				
Boom Type	Reach				VA
Stick Length	2.50 m (8'2")	2.80 m (9'2")	3.00 m (9'10")	3.00 m TR (9'10")	2.10 m (6'11")
G312 GC	✓		✓		✓
G313 GC	✓		✓		✓
G314	✓	✓	✓	✓*	✓

(continued on next page)

Demolition & Sorting Grapples for Tracked Excavators

Matching – Tracked Excavator (continued)

Match
 * Working range front only
 No Match

315F CR, continued Pin Grabber Coupler

Undercarriage	L	
Counterweight	-	
Boom Type	Reach	
Stick Length	2.50 m (8'2")	3.00 m (9'10")
G312 GC	✓	✓*

CW-20s Dedicated Coupler

Undercarriage	L		
Counterweight	-		
Boom Type	Reach		VA
Stick Length	2.50 m (8'2")	3.00 m (9'10")	2.10 m (6'11")
G312 GC	✓	✓	✓
G313 GC	✓	✓*	
G314	✓		

CW-20 Dedicated Coupler

Undercarriage	L		
Counterweight	-		
Boom Type	Reach		VA
Stick Length	2.50 m (8'2")	3.00 m (9'10")	2.10 m (6'11")
G312 GC	✓	✓*	
G312 GC-fixed CAN	✓	✓	✓
G313 GC	✓		
G314	✓*		

S60 Dedicated Coupler

Undercarriage	L		
Counterweight	-		
Boom Type	Reach		VA
Stick Length	2.50 m (8'2")	3.00 m (9'10")	2.10 m (6'11")
G312 GC	✓	✓	✓
G313 GC	✓	✓*	
G314	✓		

TRS10-CW-20s

Undercarriage	L
Counterweight	-
Boom Type	Reach
Stick Length	2.50 m (8'2")
G212 GC-fixed CAN	✓

TRS10-CW-20

Undercarriage	L	
Counterweight	-	
Boom Type	Reach	
Stick Length	2.50 m (8'2")	3.00 m (9'10")
G212 GC-fixed CAN	✓	✓*

(continued on next page)

Demolition & Sorting Grapples for Tracked Excavators

Matching – Tracked Excavator (continued)

Match * Working range front only No Match

315F CR, continued TRS10-S60

Undercarriage	L	
Counterweight	-	
Boom Type	Reach	
Stick Length	2.50 m (8'2")	3.00 m (9'10")
G212 GC	✓	✓*

315 Pin-on

Undercarriage	L		
Counterweight	3.8 mt		
Boom Type	Reach		
Stick Length	2.20 m (7'3")	2.50 m (8'2")	3.00 m (9'10")
G312 GC	✓	✓	✓

CW-20s Dedicated Coupler

Undercarriage	L		
Counterweight	3.8 mt		
Boom Type	Reach		
Stick Length	2.20 m (7'3")	2.50 m (8'2")	3.00 m (9'10")
G312 GC	✓	✓	✓
G313 GC	✓	✓	✓*
G314	✓	✓	

CW-20 Dedicated Coupler

Undercarriage	L		
Counterweight	3.8 mt		
Boom Type	Reach		
Stick Length	2.20 m (7'3")	2.50 m (8'2")	3.00 m (9'10")
G312 GC	✓	✓	✓
G312 GC-fixed CAN	✓	✓	✓
G313 GC	✓	✓	
G314	✓		

S60 Dedicated Coupler

Undercarriage	L		
Counterweight	3.8 mt		
Boom Type	Reach		
Stick Length	2.20 m (7'3")	2.50 m (8'2")	3.00 m (9'10")
G312 GC	✓	✓	✓
G313 GC	✓		

TRS10-CW-20

Undercarriage	L
Counterweight	3.8 mt
Boom Type	Reach
Stick Length	2.20 m (7'3")
G212 GC-fixed CAN	✓

(continued on next page)

Demolition & Sorting Grapples for Material Handlers

Matching – Tracked Excavator (continued)

Match * Working range front only No Match

315, continued

TRS10-S60

Undercarriage	L		
Counterweight	3.8 mt		
Boom Type	Reach		
Stick Length	2.20 m (7'3")	2.50 m (8'2")	3.00 m (9'10")
G212 GC	✓	✓	✓*

316E

Pin-on

Undercarriage	L					
Counterweight	-					
Boom Type	Reach				VA	
Stick Length	2.25 m (7'5")	2.60 m (8'6")	2.90 m (9'6")	3.10 m (10'2")	2.25 m (7'5")	2.60 m (8'6")
G313 GC	✓	✓	✓	✓	✓	✓
G314	✓	✓	✓	✓	✓	✓
G317 GC	✓	✓	✓*		✓*	
G318	✓*					

Pin Grabber Coupler

Undercarriage	L					
Counterweight	-					
Boom Type	Reach				VA	
Stick Length	2.25 m (7'5")	2.60 m (8'6")	2.90 m (9'6")	3.10 m (10'2")	2.25 m (7'5")	2.60 m (8'6")
G313 GC	✓	✓	✓	✓*	✓	✓*
G314	✓	✓	✓*		✓	✓*

CW-30s Dedicated Coupler

Undercarriage	L					
Counterweight	-					
Boom Type	Reach				VA	
Stick Length	2.25 m (7'5")	2.60 m (8'6")	2.90 m (9'6")	3.10 m (10'2")	2.25 m (7'5")	2.60 m (8'6")
G313 GC	✓	✓	✓	✓	✓	✓
G314	✓	✓	✓	✓	✓	✓
G317 GC	✓	✓*				

CW-30 Dedicated Coupler

Undercarriage	L					
Counterweight	-					
Boom Type	Reach				VA	
Stick Length	2.25 m (7'5")	2.60 m (8'6")	2.90 m (9'6")	3.10 m (10'2")	2.25 m (7'5")	2.60 m (8'6")
G313 GC	✓	✓	✓	✓	✓	✓
G313 GC-fixed CAN	✓	✓	✓	✓	✓	✓
G314	✓	✓	✓	✓	✓	✓
G317 GC	✓	✓*				
G317 GC-fixed CAN	✓	✓*				

(continued on next page)

Demolition & Sorting Grapples for Tracked Excavators

Matching – Tracked Excavator (continued)

Match
 * Working range front only
 No Match

316F

Pin-on

Undercarriage	L					
Counterweight	-					
Boom Type	Reach				VA	
Stick Length	2.25 m (7'5")	2.60 m (8'6")	2.90 m (9'6")	3.10 m (10'2")	2.25 m (7'5")	2.60 m (8'6")
G313 GC	✓	✓	✓		✓	✓
G314	✓	✓	✓	✓	✓	✓
G317 GC	✓	✓	✓*		✓*	
G318	✓*					

Pin Grabber Coupler

Undercarriage	L					
Counterweight	-					
Boom Type	Reach				VA	
Stick Length	2.25 m (7'5")	2.60 m (8'6")	2.90 m (9'6")	3.10 m (10'2")	2.25 m (7'5")	2.60 m (8'6")
G313 GC	✓	✓	✓		✓	✓*
G314	✓	✓	✓*	✓*	✓*	

CW-30s Dedicated Coupler

Undercarriage	L					
Counterweight	-					
Boom Type	Reach				VA	
Stick Length	2.25 m (7'5")	2.60 m (8'6")	2.90 m (9'6")	2.25 m (7'5")	2.60 m (8'6")	
G313 GC	✓	✓	✓	✓	✓	
G314	✓	✓	✓	✓	✓	
G317 GC	✓	✓*				

CW-30 Dedicated Coupler

Undercarriage	L					
Counterweight	-					
Boom Type	Reach				VA	
Stick Length	2.25 m (7'5")	2.60 m (8'6")	2.90 m (9'6")	2.25 m (7'5")	2.60 m (8'6")	
G313 GC	✓	✓	✓	✓	✓	
G313 GC-fixed CAN	✓	✓	✓	✓	✓	
G314	✓	✓	✓	✓	✓	
G317 GC	✓*	✓*				
G317 GC-fixed CAN	✓	✓*				

S60 Dedicated Coupler

Undercarriage	L					
Counterweight	-					
Boom Type	Reach				VA	
Stick Length	2.25 m (7'5")	2.60 m (8'6")	2.90 m (9'6")	2.25 m (7'5")	2.60 m (8'6")	
G313 GC	✓	✓	✓	✓	✓	
G314	✓	✓	✓	✓	✓	
G317 GC	✓	✓*				
G318 WH-800	✓*					

(continued on next page)

Demolition & Sorting Grapples for Tracked Excavators

Matching – Tracked Excavator (continued)

Match
 * Working range front only
 No Match

316F, continued

TRS14-CW-30s

Undercarriage	L				
Counterweight	-				
Boom Type	Reach			VA	
Stick Length	2.25 m (7'5")	2.60 m (8'6")	2.90 m (9'6")	2.25 m (7'5")	2.60 m (8'6")
G212 GC	✓	✓	✓		
G212 GC-fixed CAN	✓	✓	✓	✓	✓
G213 GC	✓	✓	✓*		
G213 GC-fixed CAN	✓	✓	✓		

TRS14-CW-30

Undercarriage	L				
Counterweight	-				
Boom Type	Reach			VA	
Stick Length	2.25 m (7'5")	2.60 m (8'6")	2.90 m (9'6")	2.25 m (7'5")	2.60 m (8'6")
G212 GC	✓	✓	✓*		
G212 GC-fixed CAN	✓	✓	✓	✓	✓*
G213 GC	✓	✓*			
G213 GC-fixed CAN	✓	✓	✓*		

TRS14-S60

Undercarriage	L				
Counterweight	-				
Boom Type	Reach			VA	
Stick Length	2.25 m (7'5")	2.60 m (8'6")	2.90 m (9'6")	2.25 m (7'5")	2.60 m (8'6")
G212 GC	✓	✓	✓	✓	✓
G213 GC	✓	✓	✓	✓	✓*

316 GC

Pin-on

Undercarriage	L	
Counterweight	3.2 mt	
Boom Type	Reach HD	
Stick Length	3.00 m (9'10")	2.50 m HD (8'2")
G312 GC	✓	✓
G313 GC	✓	✓
G314	✓	✓

Cat Pin Grabber Coupler

Undercarriage	L	
Counterweight	3.2 mt	
Boom Type	Reach HD	
Stick Length	3.00 m (9'10")	2.50 m HD (8'2")
G312 GC	✓	✓
G313 GC	✓*	✓
G314		✓*

(continued on next page)

Demolition & Sorting Grapples for Tracked Excavators

Matching – Tracked Excavator (continued)

Match * Working range front only No Match

316 GC, continued

CW-20s Dedicated Coupler

Undercarriage	L	
Counterweight	3.2 mt	
Boom Type	Reach HD	
Stick Length	3.00 m (9'10")	2.50 m HD (8'2")
G312 GC	✓	✓
G313 GC	✓*	✓
G314	✓*	✓

CW-20 Dedicated Coupler

Undercarriage	L	
Counterweight	3.2 mt	
Boom Type	Reach HD	
Stick Length	3.00 m (9'10")	2.50 m HD (8'2")
G312 GC	✓	✓
G312 GC-fixed CAN	✓	✓
G313 GC	✓*	✓
G313 GC-fixed CAN	✓	✓
G314		✓

317 GC

Pin-on

Undercarriage	L					
Counterweight	3.05 mt			3.57 mt		
Boom Type	Reach			Reach		
Stick Length	2.60 m (8'6")	2.90 m (9'6")	2.60 m (8'6")	2.90 m (9'6")	3.10 m (10'2")	2.90 m TR (9'6")
G313 GC	✓	✓				
G314	✓	✓	✓	✓	✓	✓
G317 GC	✓	✓*				

Cat Pin Grabber Coupler

Undercarriage	L					
Counterweight	3.05 mt			3.57 mt		
Boom Type	Reach			Reach		
Stick Length	2.60 m (8'6")	2.90 m (9'6")	2.60 m (8'6")	2.90 m (9'6")	3.10 m (10'2")	2.90 m TR (9'6")
G313 GC	✓	✓				
G314	✓	✓*	✓	✓	✓	✓

CW-30s Dedicated Coupler

Undercarriage	L	
Counterweight	3.05 mt	
Boom Type	Reach	
Stick Length	2.60 m (8'6")	2.90 m (9'6")
G313 GC	✓	✓
G314	✓	✓
G317 GC	✓*	

(continued on next page)

Demolition & Sorting Grapples for Tracked Excavators

Matching – Tracked Excavator (continued)

Match
 * Working range front only
 No Match

317 GC, continued

CW-30 Dedicated Coupler

Undercarriage	L	
Counterweight	3.05 mt	
Boom Type	Reach	
Stick Length	2.60 m (8'6")	2.90 m (9'6")
G313 GC	✓	✓
G313 GC-fixed CAN	✓	✓
G314	✓	✓
G317 GC	✓*	
G317 GC-fixed CAN	✓*	

S60 Dedicated Coupler

Undercarriage	L	
Counterweight	3.05 mt	
Boom Type	Reach	
Stick Length	2.60 m (8'6")	2.90 m (9'6")
G313 GC	✓	✓
G314	✓	✓
G317 GC	✓*	

HCS60 Dedicated Coupler

Undercarriage	L	
Counterweight	3.05 mt	
Boom Type	Reach	
Stick Length	2.60 m (8'6")	2.90 m (9'6")
G313 GC	✓	✓
G314	✓	✓

HCS65 Dedicated Coupler

Undercarriage	L	
Counterweight	3.05 mt	
Boom Type	Reach	
Stick Length	2.60 m (8'6")	2.90 m (9'6")
G313 GC	✓	✓
G314	✓	✓*

TRS14 (Pin-on top/CW-30s bottom)

Undercarriage	L	
Counterweight	3.05 mt	
Boom Type	Reach	
Stick Length	2.60 m (8'6")	2.90 m (9'6")
G213 GC	✓	✓*
G213 GC-fixed CAN	✓	✓*

(continued on next page)

Demolition & Sorting Grapples for Tracked Excavators

Matching – Tracked Excavator (continued)

Match
 * Working range front only
 No Match

317 GC, continued

TRS14 (Pin-on top/CW-30 bottom)

Undercarriage	L	
Counterweight	3.05 mt	
Boom Type	Reach	
Stick Length	2.60 m (8'6")	2.90 m (9'6")
G213 GC	✓*	
G213 GC-fixed CAN	✓	✓*

TRS14 (Pin-on top/S60 bottom)

Undercarriage	L	
Counterweight	3.05 mt	
Boom Type	Reach	
Stick Length	2.60 m (8'6")	2.90 m (9'6")
G213 GC	✓	✓

TRS14 (S60 top/S60 bottom)

Undercarriage	L
Counterweight	3.05 mt
Boom Type	Reach
Stick Length	2.60 m (8'6")
G213 GC	✓*

317

Pin-on

Undercarriage	L			
Counterweight	3.05 mt			
Boom Type	Reach			
Stick Length	2.60 m (8'6")	2.90 m (9'6")	3.10 m (10'2")	2.90 m TR (9'6")
G313 GC				
G314	✓	✓	✓	✓
G317 GC				

Pin-on, continued

Undercarriage	L					
Counterweight	3.57 mt					
Boom Type	Reach				VA	
Stick Length	2.60 m (8'6")	2.90 m (9'6")	3.10 m (10'2")	2.90 m TR (9'6")	2.25 m (7'5")	2.60 m (8'6")
G313 GC	✓		✓		✓	✓
G314	✓	✓	✓	✓	✓	✓
G317 GC	✓		✓		✓	✓

Cat Pin Grabber Coupler

Undercarriage	L			
Counterweight	3.05 mt			
Boom Type	Reach			
Stick Length	2.60 m (8'6")	2.90 m (9'6")	3.10 m (10'2")	2.90 m TR (9'6")
G313 GC				
G314	✓	✓	✓*	✓*
G317 GC				

(continued on next page)

Demolition & Sorting Grapples for Tracked Excavators

Matching – Tracked Excavator (continued)

Match * Working range front only No Match

317, continued

Cat Pin Grabber Coupler, continued

Undercarriage	L					
Counterweight	3.57 mt					
Boom Type	Reach				VA	
Stick Length	2.60 m (8'6")	2.90 m (9'6")	3.10 m (10'2")	2.90 m TR (9'6")	2.25 m (7'5")	2.60 m (8'6")
G313 GC	✓		✓		✓	✓
G314	✓	✓	✓	✓	✓	✓
G317 GC	✓*					

CW-30s Dedicated Coupler

Undercarriage	L			
Counterweight	3.57 mt			
Boom Type	Reach		VA	
Stick Length	2.60 m (8'6")	3.10 m (10'2")	2.25 m (7'5")	2.60 m (8'6")
G313 GC	✓	✓	✓	✓
G314	✓	✓	✓	✓
G317 GC	✓	✓*		

CW-30 Dedicated Coupler

Undercarriage	L			
Counterweight	3.57 mt			
Boom Type	Reach		VA	
Stick Length	2.60 m (8'6")	3.10 m (10'2")	2.25 m (7'5")	2.60 m (8'6")
G313 GC	✓	✓	✓	✓
G313 GC-fixed CAN	✓	✓	✓	✓
G314	✓	✓	✓	✓
G317 GC	✓	✓*	✓	✓*
G317 GC-fixed CAN	✓	✓		

S60 Dedicated Coupler

Undercarriage	L			
Counterweight	3.57 mt			
Boom Type	Reach		VA	
Stick Length	2.60 m (8'6")	3.10 m (10'2")	2.25 m (7'5")	2.60 m (8'6")
G313 GC	✓	✓	✓	✓
G314	✓	✓	✓	✓
G317 GC	✓	✓*		

HCS60 Dedicated Coupler

Undercarriage	L			
Counterweight	3.57 mt			
Boom Type	Reach		VA	
Stick Length	2.60 m (8'6")	3.10 m (10'2")	2.25 m (7'5")	2.60 m (8'6")
G313 GC	✓	✓	✓	✓
G314	✓	✓	✓	✓
G317 GC	✓			

(continued on next page)

Demolition & Sorting Grapples for Tracked Excavators

Matching – Tracked Excavator (continued)

Match * Working range front only No Match

317, continued

HCS65 Dedicated Coupler

Undercarriage	L			
Counterweight	3.57 mt			
Boom Type	Reach		VA	
Stick Length	2.60 m (8'6")	3.10 m (10'2")	2.25 m (7'5")	2.60 m (8'6")
G313 GC	✓	✓	✓	✓
G314	✓	✓	✓	✓
G317 GC	✓*			

TRS14 (Pin-on top/CW-30s bottom)

Undercarriage	L			
Counterweight	3.57 mt			
Boom Type	Reach		VA	
Stick Length	2.60 m (8'6")	3.10 m (10'2")	2.25 m (7'5")	2.60 m (8'6")
G213 GC	✓	✓		
G213 GC-fixed CAN	✓	✓	✓	✓
G217 GC-fixed CAN	✓*			

TRS14 (CW-30s top/CW-30s bottom)

Undercarriage	L	
Counterweight	3.57 mt	
Boom Type	Reach	
Stick Length	2.60 m (8'6")	3.10 m (10'2")
G213 GC	✓	
G213 GC-fixed CAN	✓	✓*

TRS14 (Pin-on top/CW-30 bottom)

Undercarriage	L			
Counterweight	3.57 mt			
Boom Type	Reach		VA	
Stick Length	2.60 m (8'6")	3.10 m (10'2")	2.25 m (7'5")	2.60 m (8'6")
G213 GC	✓	✓		
G213 GC-fixed CAN	✓	✓	✓	✓
G217 GC-fixed CAN	✓*			

TRS14 (CW-30 top/CW-30 bottom)

Undercarriage	L
Counterweight	3.57 mt
Boom Type	Reach
Stick Length	2.60 m (8'6")
G213 GC	✓*
G213 GC-fixed CAN	✓

(continued on next page)

Demolition & Sorting Grapples for Tracked Excavators

Matching – Tracked Excavator (continued)

Match * Working range front only No Match

317, continued

TRS14 (Pin-on top/S60 bottom)

Undercarriage	L			
Counterweight	3.57 mt			
Boom Type	Reach		VA	
Stick Length	2.60 m (8'6")	3.10 m (10'2")	2.25 m (7'5")	2.60 m (8'6")
G213 GC	✓	✓	✓	✓
G217 GC	✓*			

TRS14 (S60 top/S60 bottom)

Undercarriage	L	
Counterweight	3.57 mt	
Boom Type	Reach	
Stick Length	2.60 m (8'6")	3.10 m (10'2")
G213 GC	✓	✓

318D2

Pin-on

Undercarriage	L
Counterweight	-
Boom Type	Reach
Stick Length	2.60 m (8'6")
G317 GC	✓
G318	✓*
G318 WH-800	✓*

CW-30s Dedicated Coupler

Undercarriage	L
Counterweight	-
Boom Type	Reach
Stick Length	2.60 m (8'6")
G317 GC	✓*

CW-30 Dedicated Coupler

Undercarriage	L
Counterweight	-
Boom Type	Reach
Stick Length	2.60 m (8'6")
G317 GC	✓*
G317 GC-fixed CAN	✓

(continued on next page)

Demolition & Sorting Grapples for Tracked Excavators

Matching – Tracked Excavator (continued)

Match
 * Working range front only
 No Match

318E

Pin-on

Undercarriage	L						
Counterweight	-						
Boom Type	Reach					VA	
Stick Length	2.25 m (7'5")	2.50 m (8'2")	2.60 m (8'6")	2.90 m (9'6")	3.10 m (10'2")	2.25 m (7'5")	2.60 m (8'6")
G314	✓	✓	✓	✓	✓	✓	✓
G317 GC	✓	✓	✓	✓		✓	✓
G318	✓		✓			✓	✓*
G318 WH-800	✓	✓*	✓	✓	✓*	✓	✓*

Pin Grabber Coupler

Undercarriage	L						
Counterweight	-						
Boom Type	Reach					VA	
Stick Length	2.25 m (7'5")	2.50 m (8'2")	2.60 m (8'6")	2.90 m (9'6")	3.10 m (10'2")	2.25 m (7'5")	2.60 m (8'6")
G314	✓	✓	✓	✓	✓	✓	✓
G317 GC	✓		✓*			✓*	
G318 WH-800	✓*						

CW-30s Dedicated Coupler

Undercarriage	L					
Counterweight	-					
Boom Type	Reach				VA	
Stick Length	2.25 m (7'5")	2.50 m (8'2")	2.60 m (8'6")	2.90 m (9'6")	2.25 m (7'5")	2.60 m (8'6")
G314	✓	✓	✓	✓	✓	✓
G317 GC	✓		✓	✓*	✓	✓*
G318	✓*					
G318 WH-800	✓		✓*			

CW-30 Dedicated Coupler

Undercarriage	L					
Counterweight	-					
Boom Type	Reach				VA	
Stick Length	2.25 m (7'5")	2.50 m (8'2")	2.60 m (8'6")	2.90 m (9'6")	2.25 m (7'5")	2.60 m (8'6")
G314	✓	✓	✓	✓	✓	✓
G317 GC	✓		✓	✓*	✓	✓*
G317 GC-fixed CAN	✓	✓*	✓	✓	✓	✓
G318	✓*					
G318-fixed CAN	✓					
G318 WH-800	✓		✓*		✓*	

(continued on next page)

Demolition & Sorting Grapples for Tracked Excavators

Matching – Tracked Excavator (continued)

Match * Working range front only No Match

318F

Pin-on

Undercarriage	L					
Counterweight	-					
Boom Type	Reach				VA	
Stick Length	2.25 m (7'5")	2.60 m (8'6")	2.90 m (9'6")	3.10 m (10'2")	2.25 m (7'5")	2.60 m (8'6")
G317 GC	✓	✓	✓	✓	✓	✓
G318	✓	✓*	✓*		✓	✓*
G318 WH-800	✓	✓	✓	✓*	✓	✓*

Pin Grabber Coupler

Undercarriage	L		
Counterweight	-		
Boom Type	Reach		VA
Stick Length	2.25 m (7'5")	2.60 m (8'6")	2.25 m (7'5")
G317 GC	✓	✓*	✓*
G318 WH-800	✓*		

CW-30s Dedicated Coupler

Undercarriage	L				
Counterweight	-				
Boom Type	Reach			VA	
Stick Length	2.25 m (7'5")	2.60 m (8'6")	2.90 m (9'6")	2.25 m (7'5")	2.60 m (8'6")
G317 GC	✓	✓	✓	✓	✓*
G318	✓				
G318 WH-800	✓	✓*			

CW-30 Dedicated Coupler

Undercarriage	L					
Counterweight	-					
Boom Type	Reach				VA	
Stick Length	2.25 m (7'5")	2.60 m (8'6")	2.90 m (9'6")	3.10 m (10'2")	2.25 m (7'5")	2.60 m (8'6")
G317 GC	✓	✓	✓*		✓	✓*
G317 GC-fixed CAN	✓	✓	✓	✓*	✓	✓
G318	✓					
G318-fixed CAN	✓	✓*				
G318 WH-800	✓	✓*			✓	

S60 Dedicated Coupler

Undercarriage	L			
Counterweight	-			
Boom Type	Reach			
Stick Length	2.25 m (7'5")	2.60 m (8'6")	2.90 m (9'6")	3.10 m (10'2")
G317 GC	✓	✓	✓	✓*
G318	✓			
G318 WH-800	✓	✓*	✓*	

(continued on next page)

Demolition & Sorting Grapples for Tracked Excavators

Matching – Tracked Excavator (continued)

Match
 * Working range front only
 No Match

318F, continued

TRS14-CW-30s

Undercarriage	L					
Counterweight	-					
Boom Type	Reach				VA	
Stick Length	2.25 m (7'5")	2.60 m (8'6")	2.90 m (9'6")	3.10 m (10'2")	2.25 m (7'5")	2.60 m (8'6")
G212 GC	✓	✓	✓	✓	✓	✓
G212 GC-fixed CAN	✓	✓	✓	✓	✓	✓
G213 GC	✓	✓	✓	✓*	✓	✓
G213 GC-fixed CAN	✓	✓	✓	✓	✓	✓

TRS14-CW-30

Undercarriage	L					
Counterweight	-					
Boom Type	Reach				VA	
Stick Length	2.25 m (7'5")	2.60 m (8'6")	2.90 m (9'6")	3.10 m (10'2")	2.25 m (7'5")	2.60 m (8'6")
G212 GC	✓	✓	✓	✓	✓	✓
G212 GC-fixed CAN	✓	✓	✓	✓	✓	✓
G213 GC	✓	✓	✓	✓*	✓	✓
G213 GC-fixed CAN	✓	✓	✓	✓	✓	✓

TRS14-S60

Undercarriage	L					
Counterweight	-					
Boom Type	Reach				VA	
Stick Length	2.25 m (7'5")	2.60 m (8'6")	2.90 m (9'6")	3.10 m (10'2")	2.25 m (7'5")	2.60 m (8'6")
G212 GC	✓	✓	✓	✓	✓	✓
G213 GC	✓	✓	✓	✓	✓	✓

320D2 GC

Pin-on

Undercarriage	-	
Counterweight	-	
Boom Type	Reach	
Stick Length	2.50 m (8'2")	2.92 m (9'7")
G317 GC	✓	✓
G318	✓	✓
G318 WH-800	✓	✓

Pin Grabber Coupler

Undercarriage	-
Counterweight	-
Boom Type	Reach
Stick Length	2.50 m (8'2")
G317 GC	✓*
G318 WH-800	✓*

(continued on next page)

Demolition & Sorting Grapples for Tracked Excavators

Matching – Tracked Excavator (continued)

Match
 * Working range front only
 No Match

320D2 GC, continued

CW-40s Dedicated Coupler

Undercarriage	-	
Counterweight	-	
Boom Type	Reach	
Stick Length	2.50 m (8'2")	2.92 m (9'7")
G317 GC	✓	✓
G318	✓	✓*
G318 WH-800	✓	✓*

CW-40 Dedicated Coupler

Undercarriage	-	
Counterweight	-	
Boom Type	Reach	
Stick Length	2.50 m (8'2")	2.92 m (9'7")
G317 GC	✓	✓
G317 GC-fixed CAN	✓	✓
G318	✓*	
G318-fixed CAN	✓	✓*
G318 WH-800	✓	✓*

320D2

Pin-on

Undercarriage	-		L	
Counterweight	-		-	
Boom Type	Reach HD		Reach HD	
Stick Length	2.50 m HD (8'2")	2.92 m HD (9'7")	2.50 m HD (8'2")	2.92 m HD (9'7")
G317 GC			✓	✓
G318	✓	✓*	✓	✓
G318 WH-800			✓	✓

Pin Grabber Coupler

Undercarriage	L	
Counterweight	-	
Boom Type	Reach HD	
Stick Length	2.50 m HD (8'2")	2.92 m HD (9'7")
G317 GC	✓	✓
G318	✓	✓*
G318 WH-800	✓	✓*

CW-40s Dedicated Coupler

Undercarriage	L	
Counterweight	-	
Boom Type	Reach HD	
Stick Length	2.50 m HD (8'2")	2.92 m HD (9'7")
G317 GC	✓	✓
G318	✓	✓
G318 WH-800	✓	✓

(continued on next page)

Demolition & Sorting Grapples for Tracked Excavators

Matching – Tracked Excavator (continued)

Match * Working range front only No Match

320D2, continued

CW-40 Dedicated Coupler

Undercarriage	L	
Counterweight	-	
Boom Type	Reach HD	
Stick Length	2.50 m HD (8'2")	2.92 m HD (9'7")
G317 GC	✓	✓
G317 GC-fixed CAN	✓	✓
G318	✓	✓
G318-fixed CAN	✓	✓
G318 WH-800	✓	✓
G318 WH-1100	✓	

320E

Pin-on

Undercarriage	L							
Counterweight	-							
Boom Type	Reach		Reach ES		Reach HD			
Stick Length	2.50 m (8'2")	2.92 m (9'7")	2.92 m ES (9'7")	3.86 m HD (12'8")	2.50 m HD (8'2")	2.92 m (9'7")	2.92 m HD (9'7")	2.92 m ES (9'7")
G317 GC	✓	✓						
G318	✓	✓	✓	✓	✓	✓	✓	✓
G318 WH-800	✓	✓	✓	✓			✓	✓

Pin-on, continued

Undercarriage	L			LN		
Counterweight	-			-		
Boom Type	Reach HD	VA		Reach HD	VA	
Stick Length	3.86 m HD (12'8")	2.50 m (8'2")	2.50 m HD (8'2")	2.50 m HD (8'2")	2.50 m HD (8'2")	
G317 GC		✓	✓	✓	✓	
G318	✓	✓	✓	✓	✓*	
G318 WH-800	✓	✓	✓	✓	✓	

Pin Grabber Coupler

Undercarriage	L							
Counterweight	-							
Boom Type	Reach		Reach ES	Reach HD				VA
Stick Length	2.50 m (8'2")	2.92 m (9'7")	2.92 m ES (9'7")	2.50 m HD (8'2")	2.92 m (9'7")	2.92 m HD (9'7")	2.92 m ES (9'7")	2.50 m (8'2")
G317 GC	✓	✓						✓
G318	✓	✓	✓*	✓	✓	✓	✓	✓
G318 WH-800	✓	✓	✓			✓	✓	✓

Pin Grabber Coupler, continued

Undercarriage	L	LN
Counterweight	-	-
Boom Type	VA	Reach HD
Stick Length	2.50 m HD (8'2")	2.50 m HD (8'2")
G317 GC	✓	✓
G318	✓*	✓*
G318 WH-800	✓	✓

(continued on next page)

Demolition & Sorting Grapples for Tracked Excavators

Matching – Tracked Excavator (continued)

Match * Working range front only No Match

320E, continued

CW-40s Dedicated Coupler

Undercarriage	L				LN	
Counterweight	-				-	
Boom Type	Reach		VA		Reach HD	VA
Stick Length	2.50 m (8'2")	2.92 m (9'7")	2.50 m (8'2")	2.50 m HD (8'2")	2.50 m HD (8'2")	2.50 m HD (8'2")
G317 GC	✓	✓	✓	✓	✓	✓
G318	✓	✓	✓	✓	✓	✓*
G318 WH-800	✓	✓	✓	✓	✓	✓*

CW-40 Dedicated Coupler

Undercarriage	L				LN	
Counterweight	-				-	
Boom Type	Reach		VA		Reach HD	VA
Stick Length	2.50 m (8'2")	2.92 m (9'7")	2.50 m (8'2")	2.50 m HD (8'2")	2.50 m HD (8'2")	2.50 m HD (8'2")
G317 GC	✓	✓	✓	✓	✓	✓
G317 GC-fixed CAN	✓	✓	✓	✓	✓	✓
G318	✓	✓	✓	✓	✓	
G318-fixed CAN	✓	✓	✓	✓	✓	✓*
G318 WH-800	✓	✓	✓	✓	✓	✓*

320E RR

Pin-on

Undercarriage	L					
Counterweight	6.2 mt			6.9 mt		
Boom Type	Reach	Reach ES	Reach HD	Reach	Reach ES	Reach HD
Stick Length	2.92 m HD (9'7")	2.92 m ES (9'7")	2.92 m HD (9'7")	2.92 m HD (9'7")	2.92 m ES (9'7")	2.92 m HD (9'7")
G317 GC	✓	✓		✓	✓	
G318	✓	✓	✓	✓	✓	✓
G318 WH-800	✓	✓	✓	✓	✓	✓

Pin Grabber Coupler

Undercarriage	L					
Counterweight	6.2 mt			6.9 mt		
Boom Type	Reach	Reach ES	Reach HD	Reach	Reach ES	Reach HD
Stick Length	2.92 m HD (9'7")	2.92 m ES (9'7")	2.92 m HD (9'7")	2.92 m HD (9'7")	2.92 m ES (9'7")	2.92 m HD (9'7")
G317 GC	✓	✓		✓	✓	
G318	✓	✓	✓	✓	✓	✓
G318 WH-800	✓	✓	✓	✓	✓	✓

CW-40s Dedicated Coupler

Undercarriage	L			
Counterweight	6.2 mt		6.9 mt	
Boom Type	Reach	Reach ES	Reach	Reach ES
Stick Length	2.92 m HD (9'7")	2.92 m ES (9'7")	2.92 m HD (9'7")	2.92 m ES (9'7")
G317 GC	✓	✓	✓	✓
G318	✓	✓	✓	✓
G318 WH-800	✓	✓	✓	✓
G318 WH-1100	✓	✓	✓	✓

(continued on next page)

Demolition & Sorting Grapples for Tracked Excavators

Matching – Tracked Excavator (continued)

Match * Working range front only No Match

320E RR, continued CW-40 Dedicated Coupler

Undercarriage	L			
Counterweight	6.2 mt		6.9 mt	
Boom Type	Reach	Reach ES	Reach	Reach ES
Stick Length	2.92 m HD (9'7")	2.92 m ES (9'7")	2.92 m HD (9'7")	2.92 m ES (9'7")
G317 GC	✓	✓	✓	✓
G317 GC-fixed CAN	✓	✓	✓	✓
G318	✓	✓	✓	✓
G318-fixed CAN	✓	✓	✓	✓
G318 WH-800	✓	✓	✓	✓
G318 WH-1100	✓	✓	✓	✓

320F Pin-on

Undercarriage	-		L			
Counterweight	-		-			
Boom Type	Reach	VA	Reach		VA	
Stick Length	2.92 m HD (9'7")	2.92 m HD (9'7")	2.50 m HD (8'2")	2.92 m HD (9'7")	2.50 m HD (8'2")	2.92 m HD (9'7")
G317 GC	✓	✓	✓	✓	✓	✓
G318	✓	✓*	✓	✓	✓	✓
G318 WH-800	✓	✓	✓	✓	✓	✓
G318 WH-1100	✓*		✓	✓	✓	✓

Pin Grabber Coupler

Undercarriage	-		L			
Counterweight	-		-			
Boom Type	Reach	Reach		VA		
Stick Length	2.92 m HD (9'7")	2.50 m HD (8'2")	2.92 m HD (9'7")	2.50 m HD (8'2")	2.92 m HD (9'7")	
G317 GC	✓*	✓	✓	✓	✓	
G318		✓	✓	✓	✓*	
G318 WH-800		✓	✓	✓	✓*	
G318 WH-1100		✓*				

CW-40s Dedicated Coupler

Undercarriage	-		L			
Counterweight	-		-			
Boom Type	Reach	VA	Reach		VA	
Stick Length	2.92 m HD (9'7")	2.92 m HD (9'7")	2.50 m HD (8'2")	2.92 m HD (9'7")	2.50 m HD (8'2")	2.92 m HD (9'7")
G317 GC	✓	✓	✓	✓	✓	✓
G318	✓		✓	✓	✓	✓
G318 WH-800	✓	✓*	✓	✓	✓	✓
G318 WH-1100			✓	✓	✓	✓*

(continued on next page)

Demolition & Sorting Grapples for Tracked Excavators

Matching – Tracked Excavator (continued)

Match * Working range front only No Match

320F, continued

CW-40 Dedicated Coupler

Undercarriage	-		L			
Counterweight	-		-			
Boom Type	Reach	VA	Reach		VA	
Stick Length	2.92 m HD (9'7")	2.92 m HD (9'7")	2.50 m HD (8'2")	2.92 m HD (9'7")	2.50 m HD (8'2")	2.92 m HD (9'7")
G317 GC	✓	✓	✓	✓	✓	✓
G317 GC-fixed CAN	✓	✓	✓	✓	✓	✓
G318	✓*		✓	✓	✓	✓
G318-fixed CAN	✓	✓*	✓	✓	✓	✓
G318 WH-800	✓	✓*	✓	✓	✓	✓
G318 WH-1100			✓	✓	✓	✓*

S70 Dedicated Coupler

Undercarriage	-		L			
Counterweight	-		-			
Boom Type	Reach	VA	Reach		VA	
Stick Length	2.92 m HD (9'7")	2.92 m HD (9'7")	2.50 m HD (8'2")	2.92 m HD (9'7")	2.50 m HD (8'2")	2.92 m HD (9'7")
G317 GC	✓	✓*	✓	✓	✓	✓
G318	✓*		✓	✓	✓	✓*
G318 WH-800	✓*		✓	✓	✓	✓
G318 WH-1100			✓	✓*	✓*	

TRS18-CW-30s

Undercarriage	-		L			
Counterweight	-		-			
Boom Type	Reach	VA	Reach		VA	
Stick Length	2.92 m HD (9'7")	2.92 m HD (9'7")	2.50 m HD (8'2")	2.92 m HD (9'7")	2.50 m HD (8'2")	2.92 m HD (9'7")
G217 GC	✓*		✓	✓	✓	✓
G217 GC-fixed CAN	✓	✓*	✓	✓	✓	✓

TRS18-CW-30

Undercarriage	-		L			
Counterweight	-		-			
Boom Type	Reach	Reach		VA		
Stick Length	2.92 m HD (9'7")	2.50 m HD (8'2")	2.92 m HD (9'7")	2.50 m HD (8'2")	2.92 m HD (9'7")	
G217 GC		✓	✓	✓	✓*	
G217 GC-fixed CAN	✓*	✓	✓	✓	✓	

TRS18-S70

Undercarriage	-		L			
Counterweight	-		-			
Boom Type	Reach	Reach		VA		
Stick Length	2.92 m HD (9'7")	2.50 m HD (8'2")	2.92 m HD (9'7")	2.50 m HD (8'2")	2.92 m HD (9'7")	
G217 GC	✓*	✓	✓	✓	✓	

(continued on next page)

Demolition & Sorting Grapples for Tracked Excavators

Matching – Tracked Excavator (continued)

Match
 * Working range front only
 No Match

320 GC

Pin-on

Undercarriage	-				L	
Counterweight	3.7 mt		4.2 mt		4.2 mt	
Boom Type	Reach		Reach		Reach	
Stick Length	2.50 m (8'2")	2.92 m (9'7")	2.50 m (8'2")	2.92 m (9'7")	2.50 m (8'2")	2.92 m (9'7")
G317 GC	✓	✓	✓	✓	✓	✓
G318	✓	✓	✓	✓	✓	✓
G318 WH-800	✓	✓	✓	✓	✓	✓
G318 WH-1100	✓*		✓	✓	✓	✓

Pin Grabber Coupler

Undercarriage	-				L	
Counterweight	3.7 mt		4.2 mt		4.2 mt	
Boom Type	Reach		Reach		Reach	
Stick Length	2.50 m (8'2")	2.92 m (9'7")	2.50 m (8'2")	2.92 m (9'7")	2.50 m (8'2")	2.92 m (9'7")
G317 GC	✓*	✓*	✓	✓	✓	✓
G318			✓	✓*	✓	✓
G318 WH-800	✓*		✓	✓*	✓	✓
G318 WH-1100					✓	✓*

CW-40s Dedicated Coupler

Undercarriage	-				L	
Counterweight	3.7 mt		4.2 mt		4.2 mt	
Boom Type	Reach		Reach		Reach	
Stick Length	2.50 m (8'2")	2.92 m (9'7")	2.50 m (8'2")	2.92 m (9'7")	2.50 m (8'2")	2.92 m (9'7")
G317 GC	✓	✓	✓	✓	✓	✓
G318	✓	✓*	✓	✓	✓	✓
G318 WH-800	✓	✓*	✓	✓	✓	✓
G318 WH-1100			✓	✓*	✓	✓

CW-40 Dedicated Coupler

Undercarriage	-				L	
Counterweight	3.7 mt		4.2 mt		4.2 mt	
Boom Type	Reach		Reach		Reach	
Stick Length	2.50 m (8'2")	2.92 m (9'7")	2.50 m (8'2")	2.92 m (9'7")	2.50 m (8'2")	2.92 m (9'7")
G317 GC	✓	✓	✓	✓	✓	✓
G317 GC-fixed CAN	✓	✓	✓	✓	✓	✓
G318	✓*		✓	✓	✓	✓
G318-fixed CAN	✓	✓*	✓	✓	✓	✓
G318 WH-800	✓	✓*	✓	✓	✓	✓
G318 WH-1100			✓	✓*	✓	✓

(continued on next page)

Demolition & Sorting Grapples for Tracked Excavators

Matching – Tracked Excavator (continued)

Match * Working range front only No Match

320 GC, continued S70 Dedicated Coupler

Undercarriage	-		L	
Counterweight	4.2 mt		4.2 mt	
Boom Type	Reach		Reach	
Stick Length	2.50 m (8'2")	2.92 m (9'7")	2.50 m (8'2")	2.92 m (9'7")
G317 GC	✓	✓	✓	✓
G318	✓	✓	✓	✓
G318 WH-800	✓	✓	✓	✓
G318 WH-1100	✓*		✓	✓

TRS18-CW-30s

Undercarriage	-		L	
Counterweight	4.2 mt		4.2 mt	
Boom Type	Reach		Reach	
Stick Length	2.50 m (8'2")	2.92 m (9'7")	2.50 m (8'2")	2.92 m (9'7")
G217 GC	✓	✓	✓	✓
G217 GC-fixed CAN	✓	✓	✓	✓

TRS18-CW-30

Undercarriage	-		L	
Counterweight	4.2 mt		4.2 mt	
Boom Type	Reach		Reach	
Stick Length	2.50 m (8'2")	2.92 m (9'7")	2.50 m (8'2")	2.92 m (9'7")
G217 GC	✓	✓	✓	✓
G217 GC-fixed CAN	✓	✓	✓	✓

TRS18-S70

Undercarriage	-		L	
Counterweight	4.2 mt		4.2 mt	
Boom Type	Reach		Reach	
Stick Length	2.50 m (8'2")	2.92 m (9'7")	2.50 m (8'2")	2.92 m (9'7")
G217 GC	✓	✓	✓	✓

320

Pin-on

Undercarriage	L							
Counterweight	3.7 mt				4.2 mt			
Boom Type	Reach HD		Reach		Reach HD		VA	
Stick Length	2.50 m HD (8'2")	2.92 m HD (9'7")	2.50 m (8'2")	2.92 m (9'7")	2.50 m HD (8'2")	2.92 m HD (9'7")	2.50 m (8'2")	2.92 m (9'7")
G317 GC	✓	✓	✓	✓	✓	✓	✓	✓
G318	✓	✓	✓	✓	✓	✓	✓	✓
G318 WH-800	✓	✓	✓	✓	✓	✓	✓	✓
G318 WH-1100	✓	✓	✓	✓	✓	✓	✓	✓*

(continued on next page)

Demolition & Sorting Grapples for Tracked Excavators

Matching – Tracked Excavator (continued)

Match * Working range front only No Match

320, continued

Pin Grabber Coupler

Undercarriage	L							
Counterweight	3.7 mt				4.2 mt			
Boom Type	Reach HD		Reach		Reach HD		VA	
Stick Length	2.50 m HD (8'2")	2.92 m HD (9'7")	2.50 m (8'2")	2.92 m (9'7")	2.50 m HD (8'2")	2.92 m HD (9'7")	2.50 m (8'2")	2.92 m (9'7")
G317 GC	✓	✓	✓	✓	✓	✓	✓	✓
G318	✓*	✓*	✓	✓	✓	✓	✓*	
G318 WH-800	✓	✓*	✓	✓	✓	✓	✓	✓*
G318 WH-1100			✓	✓*	✓*			

CW-40s Dedicated Coupler

Undercarriage	L							
Counterweight	3.7 mt				4.2 mt			
Boom Type	Reach HD		Reach		Reach HD		VA	
Stick Length	2.50 m HD (8'2")	2.92 m HD (9'7")	2.50 m (8'2")	2.92 m (9'7")	2.50 m HD (8'2")	2.92 m HD (9'7")	2.50 m (8'2")	2.92 m (9'7")
G317 GC	✓	✓	✓	✓	✓	✓	✓	✓
G318	✓	✓	✓	✓	✓	✓	✓	✓
G318 WH-800	✓	✓	✓	✓	✓	✓	✓	✓
G318 WH-1100	✓	✓*	✓	✓	✓	✓	✓*	

CW-40 Dedicated Coupler

Undercarriage	L							
Counterweight	3.7 mt				4.2 mt			
Boom Type	Reach HD		Reach		Reach HD		VA	
Stick Length	2.50 m HD (8'2")	2.92 m HD (9'7")	2.50 m (8'2")	2.92 m (9'7")	2.50 m HD (8'2")	2.92 m HD (9'7")	2.50 m (8'2")	2.92 m (9'7")
G317 GC	✓	✓	✓	✓	✓	✓	✓	✓
G317 GC-fixed CAN	✓	✓	✓	✓	✓	✓	✓	✓
G318	✓	✓	✓	✓	✓	✓	✓	✓
G318-fixed CAN	✓	✓	✓	✓	✓	✓	✓	✓
G318 WH-800	✓	✓	✓	✓	✓	✓	✓	✓
G318 WH-1100	✓*		✓	✓	✓	✓	✓*	

S70 Dedicated Coupler

Undercarriage	L			
Counterweight	4.2 mt			
Boom Type	Reach		VA	
Stick Length	2.50 m (8'2")	2.92 m (9'7")	2.50 m (8'2")	2.92 m (9'7")
G317 GC	✓	✓	✓	✓
G318	✓	✓	✓	✓*
G318 WH-800	✓	✓	✓	✓*
G318 WH-1100	✓	✓		

(continued on next page)

Demolition & Sorting Grapples for Tracked Excavators

Matching – Tracked Excavator (continued)

Match * Working range front only No Match

320, continued

TRS18-CW-30s

Undercarriage	L			
Counterweight	4.2 mt			
Boom Type	Reach		VA	
Stick Length	2.50 m (8'2")	2.92 m (9'7")	2.50 m (8'2")	2.92 m (9'7")
G217 GC	✓	✓	✓	✓*
G217 GC-fixed CAN	✓	✓	✓	✓

TRS18-CW-30

Undercarriage	L			
Counterweight	4.2 mt			
Boom Type	Reach		VA	
Stick Length	2.50 m (8'2")	2.92 m (9'7")	2.50 m (8'2")	2.92 m (9'7")
G217 GC	✓	✓	✓*	
G217 GC-fixed CAN	✓	✓	✓	✓

TRS18-S70

Undercarriage	L			
Counterweight	4.2 mt			
Boom Type	Reach		VA	
Stick Length	2.50 m (8'2")	2.92 m (9'7")	2.50 m (8'2")	2.92 m (9'7")
G217 GC	✓	✓	✓	✓*

323D2

Pin-on

Undercarriage	L		
Counterweight	-		
Boom Type	Reach HD		ME
Stick Length	2.50 m HD (8'2")	2.92 m HD (9'7")	2.40 m (7'10")
G317 GC	✓	✓	
G318	✓	✓	
G318 WH-800	✓	✓	
G318 WH-1100	✓	✓	
G324	✓*		✓
G324 WH-1500			✓
G324 WH-1800			✓

Pin Grabber Coupler

Undercarriage	L		
Counterweight	-		
Boom Type	Reach HD		ME
Stick Length	2.50 m HD (8'2")	2.92 m HD (9'7")	2.40 m (7'10")
G317 GC	✓	✓	
G318	✓	✓	
G318 WH-800	✓	✓	
G318 WH-1100	✓*		
G324			✓*

(continued on next page)

Demolition & Sorting Grapples for Tracked Excavators

Matching – Tracked Excavator (continued)

Match * Working range front only No Match

323D2, continued

CW-40s Dedicated Coupler

Undercarriage	L	
Counterweight	-	
Boom Type	Reach HD	
Stick Length	2.50 m HD (8'2")	2.92 m HD (9'7")
G317 GC	✓	✓
G318	✓	✓
G318 WH-800	✓	✓
G318 WH-1100	✓	✓

CW-40 Dedicated Coupler

Undercarriage	L		
Counterweight	-		
Boom Type	Reach HD		ME
Stick Length	2.50 m HD (8'2")	2.92 m HD (9'7")	2.40 m (7'10")
G317 GC	✓	✓	
G317 GC-fixed CAN	✓	✓	
G318	✓	✓	
G318-fixed CAN	✓	✓	
G318 WH-800	✓	✓	
G318 WH-1100	✓	✓	
G324			✓
G324 WH-1500			✓
G324 WH-1800			✓*

323E

Pin-on

Undercarriage	L					LN		
Counterweight	-					-		
Boom Type	Reach ES		Reach HD		VA	Reach ES		Reach HD
Stick Length	2.92 m ES (9'7")	2.50 m ES (8'2")	2.92 m ES (9'7")	2.50 m HD (8'2")	2.92 m ES (9'7")	2.50 m ES (8'2")	2.50 m ES (8'2")	2.92 m ES (9'7")
G317 GC	✓	✓	✓	✓	✓	✓	✓	✓
G318	✓	✓	✓	✓	✓	✓	✓	✓
G318 WH-800	✓	✓	✓	✓	✓	✓	✓	✓
G318 WH-1100	✓	✓	✓	✓	✓	✓	✓	✓
G324								

Pin-on, continued

Undercarriage	LN	SA				
Counterweight	-	-				
Boom Type	VA	Reach ES	Reach HD		VA	
Stick Length	2.50 m ES (8'2")	2.50 m ES (8'2")	1.90 m HD (6'3")	2.50 m ES (8'2")	2.92 m ES (9'7")	2.50 m ES (8'2")
G317 GC	✓	✓		✓	✓	✓
G318	✓	✓		✓	✓	✓
G318 WH-800	✓	✓		✓	✓	✓
G318 WH-1100	✓*	✓		✓	✓	✓
G324			✓*			

(continued on next page)

Demolition & Sorting Grapples for Tracked Excavators

Matching – Tracked Excavator (continued)

Match * Working range front only No Match

323E, continued

Pin Grabber Coupler

Undercarriage	L					LN		
Counterweight	-							
Boom Type	Reach ES	Reach HD		VA		Reach ES	Reach HD	
Stick Length	2.92 m ES (9'7")	2.50 m ES (8'2")	2.92 m ES (9'7")	2.50 m HD (8'2")	2.92 m ES (9'7")	2.50 m ES (8'2")	2.50 m ES (8'2")	2.92 m ES (9'7")
G317 GC	✓	✓	✓	✓	✓	✓	✓	✓
G318	✓	✓	✓	✓	✓*	✓*	✓	✓*
G318 WH-800	✓	✓	✓	✓	✓	✓	✓	✓*
G318 WH-1100	✓*	✓	✓*	✓*				

Pin Grabber Coupler, continued

Undercarriage	LN	SA			
Counterweight	-	-			
Boom Type	VA	Reach ES	Reach HD		VA
Stick Length	2.50 m ES (8'2")	2.50 m ES (8'2")	2.50 m ES (8'2")	2.92 m ES (9'7")	2.50 m ES (8'2")
G317 GC	✓	✓	✓	✓	✓
G318		✓	✓	✓*	
G318 WH-800	✓*	✓	✓	✓	✓*
G318 WH-1100			✓*		

CW-40s Dedicated Coupler

Undercarriage	L					LN		
Counterweight	-							
Boom Type	Reach ES	Reach HD		VA		Reach ES	Reach HD	
Stick Length	2.92 m ES (9'7")	2.50 m ES (8'2")	2.92 m ES (9'7")	2.50 m HD (8'2")	2.92 m ES (9'7")	2.50 m ES (8'2")	2.50 m ES (8'2")	2.92 m ES (9'7")
G317 GC	✓	✓	✓	✓	✓	✓	✓	✓
G318	✓	✓	✓	✓	✓	✓	✓	✓
G318 WH-800	✓	✓	✓	✓	✓	✓	✓	✓
G318 WH-1100	✓	✓	✓	✓	✓*	✓*	✓	✓*

CW-40s Dedicated Coupler, continued

Undercarriage	LN	SA			
Counterweight	-	-			
Boom Type	VA	Reach ES	Reach HD		VA
Stick Length	2.50 m ES (8'2")	2.50 m ES (8'2")	2.50 m ES (8'2")	2.92 m ES (9'7")	2.50 m ES (8'2")
G317 GC	✓	✓	✓	✓	✓
G318	✓	✓	✓	✓	✓
G318 WH-800	✓	✓	✓	✓	✓
G318 WH-1100		✓	✓	✓*	✓*

(continued on next page)

Demolition & Sorting Grapples for Tracked Excavators

Matching – Tracked Excavator (continued)

Match
 * Working range front only
 No Match

323E, continued

CW-40 Dedicated Coupler

Undercarriage	L					LN		
Counterweight	-							
Boom Type	Reach ES	Reach HD		VA		Reach ES	Reach HD	
Stick Length	2.92 m ES (9'7")	2.50 m ES (8'2")	2.92 m ES (9'7")	2.50 m HD (8'2")	2.92 m ES (9'7")	2.50 m ES (8'2")	2.50 m ES (8'2")	2.92 m ES (9'7")
G317 GC	✓	✓	✓	✓	✓	✓	✓	✓
G317 GC-fixed CAN	✓	✓	✓	✓	✓	✓	✓	✓
G318	✓	✓	✓	✓	✓	✓	✓	✓
G318-fixed CAN	✓	✓	✓	✓	✓	✓	✓	✓
G318 WH-800	✓	✓	✓	✓	✓	✓	✓	✓
G318 WH-1100	✓	✓	✓	✓	✓*	✓*	✓	✓*

CW-40 Dedicated Coupler, continued

Undercarriage	LN	SA			
Counterweight	-	2.50 m ES (8'2")			
Boom Type	VA	Reach ES	Reach HD		VA
Stick Length	2.50 m ES (8'2")	2.50 m ES (8'2")	2.50 m ES (8'2")	2.92 m ES (9'7")	2.50 m ES (8'2")
G317 GC	✓	✓	✓	✓	✓
G317 GC-fixed CAN	✓	✓	✓	✓	✓
G318	✓	✓	✓	✓	✓
G318-fixed CAN	✓	✓	✓	✓	✓
G318 WH-800	✓	✓	✓	✓	✓
G318 WH-1100		✓	✓	✓*	

323F

Pin-on

Undercarriage	L							
Counterweight	-							5.35 mt
Boom Type	Reach		Reach HD			VA		Reach
Stick Length	2.50 m HD (8'2")	2.92 m HD (9'7")	2.92 m HD (9'7")	2.92 m HD-TR (9'7")	3.86 m HD (12'8")	2.50 m HD (8'2")	2.92 m HD (9'7")	2.50 m HD (8'2")
G317 GC	✓	✓				✓	✓	✓
G318	✓	✓	✓	✓		✓	✓	✓
G318 WH-800	✓	✓	✓	✓	✓	✓	✓	✓
G318 WH-1100	✓	✓	✓	✓		✓	✓	✓
G324	✓					✓		✓
G324 WH-1500	✓	✓*	✓	✓				✓
G324 WH-1800	✓*							✓

(continued on next page)

Demolition & Sorting Grapples for Tracked Excavators

Matching – Tracked Excavator (continued)

Match * Working range front only No Match

323F, continued Pin-on, continued

Undercarriage	L				LN			
Counterweight	5.35 mt				-			
Boom Type	Reach		VA		Reach		VA	
Stick Length	2.92 m HD (9'7")	2.50 m HD (8'2")	2.92 m HD (9'7")	2.50 m HD (8'2")	2.92 m HD (9'7")	2.50 m HD (8'2")	2.92 m HD (9'7")	
G317 GC	✓	✓	✓	✓	✓	✓	✓	✓
G318	✓	✓	✓	✓	✓	✓	✓	✓*
G318 WH-800	✓	✓	✓	✓	✓	✓	✓	✓
G318 WH-1100	✓	✓	✓	✓	✓	✓	✓*	
G324	✓	✓	✓					
G324 WH-1500	✓							
G324 WH-1800								

Pin Grabber Coupler

Undercarriage	L							
Counterweight	-						5.35 mt	
Boom Type	Reach		Reach HD		VA		Reach	
Stick Length	2.50 m HD (8'2")	2.92 m HD (9'7")	2.92 m HD (9'7")	2.92 m HD-TR (9'7")	2.50 m HD (8'2")	2.92 m HD (9'7")	2.50 m HD (8'2")	2.92 m HD (9'7")
G317 GC	✓	✓			✓	✓	✓	✓
G318	✓	✓	✓	✓	✓	✓	✓	✓
G318 WH-800	✓	✓	✓	✓	✓	✓	✓	✓
G318 WH-1100	✓	✓	✓	✓	✓	✓*	✓	✓
G324	✓*						✓	

Pin Grabber Coupler, continued

Undercarriage	L				LN	
Counterweight	5.35 mt				-	
Boom Type	VA		Reach		VA	
Stick Length	2.50 m HD (8'2")	2.92 m HD (9'7")	2.50 m HD (8'2")	2.92 m HD (9'7")	2.50 m HD (8'2")	
G317 GC	✓	✓	✓	✓	✓*	
G318	✓	✓	✓	✓*		
G318 WH-800	✓	✓	✓	✓		
G318 WH-1100	✓	✓				
G324						

CW-40s Dedicated Coupler

Undercarriage	L							
Counterweight	-						5.35 mt	
Boom Type	Reach		VA		Reach		VA	
Stick Length	2.50 m HD (8'2")	2.92 m HD (9'7")	2.50 m HD (8'2")	2.92 m HD (9'7")	2.50 m HD (8'2")	2.92 m HD (9'7")	2.50 m HD (8'2")	2.92 m HD (9'7")
G317 GC	✓	✓	✓	✓	✓	✓	✓	✓
G318	✓	✓	✓	✓	✓	✓	✓	✓
G318 WH-800	✓	✓	✓	✓	✓	✓	✓	✓
G318 WH-1100	✓	✓	✓	✓	✓	✓	✓	✓
G324	✓*				✓			
G324 WH-1500	✓*				✓			

(continued on next page)

Demolition & Sorting Grapples for Tracked Excavators

Matching – Tracked Excavator (continued)

Match
 * Working range front only
 No Match

323F, continued

CW-40s Dedicated Coupler, continued

Undercarriage	LN			
Counterweight	-			
Boom Type	Reach		VA	
Stick Length	2.50 m HD (8'2")	2.92 m HD (9'7")	2.50 m HD (8'2")	2.92 m HD (9'7")
G317 GC	✓	✓	✓	✓
G318	✓	✓	✓*	
G318 WH-800	✓	✓	✓	✓*
G318 WH-1100	✓	✓*		
G324				
G324 WH-1500				

CW-40 Dedicated Coupler

Undercarriage	L							
Counterweight	-				5.35 mt			
Boom Type	Reach		VA		Reach		VA	
Stick Length	2.50 m HD (8'2")	2.92 m HD (9'7")	2.50 m HD (8'2")	2.92 m HD (9'7")	2.50 m HD (8'2")	2.92 m HD (9'7")	2.50 m HD (8'2")	2.92 m HD (9'7")
G317 GC	✓	✓	✓	✓	✓	✓	✓	✓
G317 GC-fixed CAN	✓	✓	✓	✓	✓	✓	✓	✓
G318	✓	✓	✓	✓	✓	✓	✓	✓
G318-fixed CAN	✓	✓	✓	✓	✓	✓	✓	✓
G318 WH-800	✓	✓	✓	✓	✓	✓	✓	✓
G318 WH-1100	✓	✓	✓	✓	✓	✓	✓	✓
G324	✓*				✓		✓	
G324 WH-1500	✓*				✓			

CW-40 Dedicated Coupler, continued

Undercarriage	LN			
Counterweight	-			
Boom Type	Reach		VA	
Stick Length	2.50 m HD (8'2")	2.92 m HD (9'7")	2.50 m HD (8'2")	2.92 m HD (9'7")
G317 GC	✓	✓	✓	✓
G317 GC-fixed CAN	✓	✓	✓	✓
G318	✓	✓	✓*	
G318-fixed CAN	✓	✓	✓*	
G318 WH-800	✓	✓	✓*	✓*
G318 WH-1100	✓	✓*		
G324				
G324 WH-1500				

(continued on next page)

Demolition & Sorting Grapples for Tracked Excavators

Matching – Tracked Excavator (continued)

Match * Working range front only No Match

323F, continued

S70 Dedicated Coupler

Undercarriage	L							
Counterweight	-				5.35 mt			
Boom Type	Reach		VA		Reach		VA	
Stick Length	2.50 m HD (8'2")	2.92 m HD (9'7")	2.50 m HD (8'2")	2.92 m HD (9'7")	2.50 m HD (8'2")	2.92 m HD (9'7")	2.50 m HD (8'2")	2.92 m HD (9'7")
G317 GC	✓	✓	✓	✓	✓	✓	✓	✓
G318	✓	✓	✓	✓	✓	✓	✓	✓
G318 WH-800	✓	✓	✓	✓	✓	✓	✓	✓
G318 WH-1100	✓	✓	✓	✓	✓	✓	✓	✓
G324	✓*				✓			
G324 WH-1500	✓*				✓			

S70 Dedicated Coupler, continued

Undercarriage	LN			
Counterweight	-			
Boom Type	Reach		VA	
Stick Length	2.50 m HD (8'2")	2.92 m HD (9'7")	2.50 m HD (8'2")	2.92 m HD (9'7")
G317 GC	✓	✓	✓	✓*
G318	✓	✓		
G318 WH-800	✓	✓	✓*	
G318 WH-1100	✓*			
G324				
G324 WH-1500				

TRS18-CW-30s

Undercarriage	L							
Counterweight	-				5.35 mt			
Boom Type	Reach		VA		Reach		VA	
Stick Length	2.50 m HD (8'2")	2.92 m HD (9'7")	2.50 m HD (8'2")	2.92 m HD (9'7")	2.50 m HD (8'2")	2.92 m HD (9'7")	2.50 m HD (8'2")	2.92 m HD (9'7")
G217 GC	✓	✓	✓	✓	✓	✓	✓	✓
G217 GC-fixed CAN	✓	✓	✓	✓	✓	✓	✓	✓

TRS18-CW-30s, continued

Undercarriage	LN		
Counterweight	-		
Boom Type	Reach		VA
Stick Length	2.50 m HD (8'2")	2.92 m HD (9'7")	2.50 m HD (8'2")
G217 GC	✓	✓	
G217 GC-fixed CAN	✓	✓	✓*

TRS18-CW-30

Undercarriage	L							
Counterweight	-				5.35 mt			
Boom Type	Reach		VA		Reach		VA	
Stick Length	2.50 m HD (8'2")	2.92 m HD (9'7")	2.50 m HD (8'2")	2.92 m HD (9'7")	2.50 m HD (8'2")	2.92 m HD (9'7")	2.50 m HD (8'2")	2.92 m HD (9'7")
G217 GC	✓	✓	✓	✓	✓	✓	✓	✓
G217 GC-fixed CAN	✓	✓	✓	✓	✓	✓	✓	✓

(continued on next page)

Demolition & Sorting Grapples for Tracked Excavators

Matching – Tracked Excavator (continued)

Match * Working range front only No Match

323F, continued

TRS18-CW-30, continued

Undercarriage	LN		
Counterweight	-		
Boom Type	Reach		VA
Stick Length	2.50 m HD (8'2")	2.92 m HD (9'7")	2.50 m HD (8'2")
G217 GC	✓	✓	
G217 GC-fixed CAN	✓	✓	✓*

TRS18-S70

Undercarriage	L							
Counterweight	-				5.35 mt			
Boom Type	Reach		VA		Reach		VA	
Stick Length	2.50 m HD (8'2")	2.92 m HD (9'7")	2.50 m HD (8'2")	2.92 m HD (9'7")	2.50 m HD (8'2")	2.92 m HD (9'7")	2.50 m HD (8'2")	2.92 m HD (9'7")
G217 GC	✓	✓	✓	✓	✓	✓	✓	✓

TRS18-S70, continued

Undercarriage	LN	
Counterweight	-	
Boom Type	Reach	
Stick Length	2.50 m HD (8'2")	2.92 m HD (9'7")
G217 GC	✓	✓

323 N

Pin-on

Undercarriage	LN				SA			
Counterweight	4.5 mt				4.5 mt			
Boom Type	Reach		VA		Reach		VA	
Stick Length	2.50 m (8'2")	2.92 m (9'6")	2.50 m (8'2")	2.92 m (9'6")	2.50 m (8'2")	2.92 m (9'6")	2.50 m (8'2")	2.92 m (9'6")
G317 GC	✓	✓	✓	✓	✓	✓	✓	✓
G318	✓	✓	✓	✓	✓	✓	✓	✓
G318 WH	✓	✓	✓*	✓	✓	✓	✓*	✓
G324					✓*			

Cat Pin Grabber Coupler

Undercarriage	LN				SA			
Counterweight	4.5 mt				4.5 mt			
Boom Type	Reach		VA		Reach		VA	
Stick Length	2.50 m (8'2")	2.92 m (9'7")	2.50 m (8'2")	2.92 m (9'7")	2.50 m (8'2")	2.92 m (9'7")	2.50 m (8'2")	2.92 m (9'7")
G317 GC	✓	✓	✓	✓*	✓	✓	✓	✓*
G318	✓	✓*			✓			
G318 WH	✓*	✓	✓		✓	✓	✓	

(continued on next page)

Demolition & Sorting Grapples for Tracked Excavators

Matching – Tracked Excavator (continued)

Match * Working range front only No Match

323 N, continued

CW-40s Dedicated Coupler

Undercarriage	LN				SA			
Counterweight	4.5 mt				4.5 mt			
Boom Type	Reach		VA		Reach		VA	
Stick Length	2.50 m (8'2")	2.92 m (9'7")	2.50 m (8'2")	2.92 m (9'7")	2.50 m (8'2")	2.92 m (9'7")	2.50 m (8'2")	2.92 m (9'7")
G317 GC	✓	✓	✓	✓	✓	✓	✓	✓
G318	✓	✓	✓	✓*	✓	✓	✓	✓*
G318 WH	✓	✓*	✓	✓*	✓	✓	✓	✓

CW-40 Dedicated Coupler

Undercarriage	LN				SA			
Counterweight	4.5 mt				4.5 mt			
Boom Type	Reach		VA		Reach		VA	
Stick Length	2.50 m (8'2")	2.92 m (9'7")	2.50 m (8'2")	2.92 m (9'7")	2.50 m (8'2")	2.92 m (9'7")	2.50 m (8'2")	2.92 m (9'7")
G317 GC	✓	✓	✓	✓	✓	✓	✓	✓
G317 GC-fixed CAN	✓	✓	✓	✓	✓	✓	✓	✓
G318	✓	✓	✓	✓*	✓	✓	✓	✓*
G318-fixed CAN	✓	✓	✓	✓*	✓	✓	✓	✓*
G318 WH	✓	✓*	✓	✓*	✓	✓*	✓	✓*

S70 Dedicated Coupler

Undercarriage	LN				SA			
Counterweight	4.5 mt				4.5 mt			
Boom Type	Reach		VA		Reach		VA	
Stick Length	2.50 m (8'2")	2.92 m (9'7")	2.50 m (8'2")	2.92 m (9'7")	2.50 m (8'2")	2.92 m (9'7")	2.50 m (8'2")	2.92 m (9'7")
G317 GC	✓	✓	✓	✓*	✓	✓	✓	✓
G318	✓	✓	✓*	✓	✓	✓	✓*	✓
G318 WH	✓*	✓	✓*	✓	✓	✓*	✓*	✓

HCS70 Dedicated Coupler

Undercarriage	LN				SA			
Counterweight	4.5 mt				4.5 mt			
Boom Type	Reach		VA		Reach		VA	
Stick Length	2.50 m (8'2")	2.92 m (9'6")	2.50 m (8'2")	2.50 m (8'2")	2.92 m (9'6")	2.50 m (8'2")	2.92 m (9'6")	
G317 GC	✓	✓	✓*	✓	✓	✓	✓*	
G318	✓	✓*	✓	✓	✓*	✓	✓	
G318 WH	✓*	✓*	✓*	✓	✓	✓*	✓	

HCS70/55 Dedicated Coupler

Undercarriage	LN				SA		
Counterweight	4.5 mt				4.5 mt		
Boom Type	Reach		VA		Reach		VA
Stick Length	2.50 m (8'2")	2.92 m (9'6")	2.50 m (8'2")	2.50 m (8'2")	2.92 m (9'6")	2.50 m (8'2")	
G317 GC	✓	✓	✓*	✓	✓	✓*	
G318	✓	✓*	✓	✓	✓*	✓	
G318 WH	✓	✓*	✓	✓	✓	✓	

(continued on next page)

Demolition & Sorting Grapples for Tracked Excavators

Matching – Tracked Excavator (continued)

Match * Working range front only No Match

323 N, continued

TRS18 (Pin-on top/CW-30s bottom)

Undercarriage	LN				SA			
Counterweight	4.5 mt				4.5 mt			
Boom Type	Reach		VA		Reach		VA	
Stick Length	2.50 m (8'2")	2.92 m (9'7")	2.50 m (8'2")	2.92 m (9'7")	2.50 m (8'2")	2.92 m (9'7")	2.50 m (8'2")	2.92 m (9'7")
G217 GC	✓	✓	✓*		✓	✓	✓*	
G217 GC-fixed CAN	✓	✓	✓	✓*	✓	✓	✓	✓*

TRS18 (CW-30s top/CW-30s bottom)

Undercarriage	LN		SA		
Counterweight	4.5 mt		4.5 mt		
Boom Type	Reach		Reach		VA
Stick Length	2.50 m (8'2")	2.92 m (9'7")	2.50 m (8'2")	2.92 m (9'7")	2.50 m (8'2")
G217 GC	✓	✓*	✓	✓*	
G217 GC-fixed CAN	✓	✓	✓	✓	✓*

TRS18 (Pin-on top/CW-30 bottom)

Undercarriage	LN				SA			
Counterweight	4.5 mt				4.5 mt			
Boom Type	Reach		VA		Reach		VA	
Stick Length	2.50 m (8'2")	2.92 m (9'7")	2.50 m (8'2")	2.92 m (9'7")	2.50 m (8'2")	2.92 m (9'7")	2.50 m (8'2")	2.92 m (9'7")
G217 GC	✓	✓	✓*		✓	✓	✓*	
G217 GC-fixed CAN	✓	✓	✓	✓*	✓	✓	✓	✓*

TRS18 (CW-30 top/CW-30 bottom)

Undercarriage	LN		SA	
Counterweight	4.5 mt		4.5 mt	
Boom Type	Reach		Reach	
Stick Length	2.50 m (8'2")	2.92 m (9'7")	2.50 m (8'2")	2.92 m (9'7")
G217 GC	✓*		✓*	
G217 GC-fixed CAN	✓	✓*	✓	✓*

TRS18 (Pin-on top/S70 bottom)

Undercarriage	LN				SA	
Counterweight	4.5 mt				4.5 mt	
Boom Type	Reach		VA	Reach		VA
Stick Length	2.50 m (8'2")	2.92 m (9'7")	2.50 m (8'2")	2.50 m (8'2")	2.92 m (9'7")	2.50 m (8'2")
G217 GC	✓	✓	✓*	✓	✓	✓*

TRS18 (S70 top/S70 bottom)

Undercarriage	LN	SA
Counterweight	4.5 mt	4.5 mt
Boom Type	Reach	Reach
Stick Length	2.50 m (8'2")	2.50 m (8'2")
G217 GC	✓*	✓*

(continued on next page)

Demolition & Sorting Grapples for Tracked Excavators

Matching – Tracked Excavator (continued)

Match
 * Working range front only
 No Match

323 GC

Pin-on

Undercarriage	L	
Counterweight	4.7 mt	
Boom Type	Reach	
Stick Length	2.50 m (8'2")	2.92 m (9'6")
G317 GC	✓	✓
G318	✓	✓
G318 WH	✓	✓
G324	✓	✓
G324 WH	✓*	✓

Cat Pin Grabber Coupler

Undercarriage	L	
Counterweight	4.7 mt	
Boom Type	Reach	
Stick Length	2.50 m (8'2")	2.92 m (9'7")
G317 GC	✓	✓
G318	✓	✓
G318 WH	✓	✓
G324	✓*	

CW-40s Dedicated Coupler

Undercarriage	L	
Counterweight	4.7 mt	
Boom Type	Reach	
Stick Length	2.50 m (8'2")	2.92 m (9'7")
G317 GC	✓	✓
G318	✓	✓
G318 WH	✓	✓
G324	✓	
G324 WH	✓*	

CW-40 Dedicated Coupler

Undercarriage	L	
Counterweight	4.7 mt	
Boom Type	Reach	
Stick Length	2.50 m (8'2")	2.92 m (9'7")
G317 GC	✓	✓
G317 GC-fixed CAN	✓	✓
G318	✓	✓
G318-fixed CAN	✓	✓
G318 WH	✓	✓
G324	✓	
G324 WH	✓*	

(continued on next page)

Demolition & Sorting Grapples for Tracked Excavators

Matching – Tracked Excavator (continued)

Match
 * Working range front only
 No Match

323

Pin-on

Undercarriage	L							
Counterweight	4.2 mt							
Boom Type	Reach			Reach HD				VA
Stick Length	2.50 m (8'2")	2.92 m (9'7")	3.86 m (12'8")	2.50 m (8'2")	2.50 m HD (8'2")	2.92 m (9'7")	2.92 m HD (9'7")	2.50 m (8'2")
G317 GC	✓	✓			✓		✓	✓
G318	✓	✓	✓	✓	✓	✓	✓	✓
G318 WH-800	✓	✓	✓		✓		✓	✓
G318 WH-1100	✓	✓			✓		✓	✓
G324	✓	✓*		✓	✓*	✓*	✓*	
G324 WH-1500	✓	✓*			✓*			
G324 WH-1800								

Pin-on, continued

Undercarriage	L							
Counterweight	4.2 mt	5.4 mt						
Boom Type	VA	Reach			Reach HD			
Stick Length	2.92 m (9'7")	2.50 m (8'2")	2.92 m (9'7")	3.86 m (12'8")	2.50 m (8'2")	2.50 m HD (8'2")	2.92 m (9'7")	2.92 m HD (9'7")
G317 GC	✓	✓	✓			✓		✓
G318	✓	✓	✓	✓	✓	✓	✓	✓
G318 WH-800	✓	✓	✓	✓		✓		✓
G318 WH-1100	✓	✓	✓			✓		✓
G324		✓	✓		✓	✓	✓	✓
G324 WH-1500		✓	✓			✓		✓
G324 WH-1800		✓				✓		

Pin-on, continued

Undercarriage	L				LN			SA
Counterweight	5.4 mt				4.5 mt			4.5 mt
Boom Type	Reach HD	VA		Reach	VA		Reach	
Stick Length	2.92 m TR (9'7")	2.50 m (8'2")	2.92 m (9'7")	2.50 m (8'2")	2.92 m (9'7")	2.50 m (8'2")	2.92 m (9'7")	2.50 m (8'2")
G317 GC		✓	✓	✓	✓	✓	✓	✓
G318	✓	✓	✓	✓	✓	✓	✓	✓
G318 WH-800	✓	✓	✓	✓	✓	✓	✓	✓
G318 WH-1100	✓	✓	✓	✓	✓	✓*		✓
G324	✓	✓	✓					✓*
G324 WH-1500	✓							
G324 WH-1800								

(continued on next page)

Demolition & Sorting Grapples for Tracked Excavators

Matching – Tracked Excavator (continued)

Match * Working range front only No Match

323, continued

Pin-on, continued

Undercarriage	SA		
Counterweight	4.5 mt		
Boom Type	Reach	VA	
Stick Length	2.92 m (9'7")	2.50 m (8'2")	2.92 m (9'7")
G317 GC	✓	✓	✓
G318	✓	✓	✓
G318 WH-800	✓	✓	✓
G318 WH-1100	✓	✓*	
G324			
G324 WH-1500			
G324 WH-1800			

Pin Grabber Coupler

Undercarriage	L							
Counterweight	4.2 mt							
Boom Type	Reach		Reach HD				VA	
Stick Length	2.50 m (8'2")	2.92 m (9'7")	2.50 m (8'2")	2.50 m HD (8'2")	2.92 m (9'7")	2.92 m HD (9'7")	2.50 m (8'2")	2.92 m (9'7")
G317 GC	✓	✓		✓		✓	✓	✓
G318	✓	✓	✓	✓	✓	✓	✓	✓*
G318 WH-800	✓	✓		✓		✓	✓	✓*
G318 WH-1100	✓	✓		✓		✓*		
G324								

Pin Grabber Coupler, continued

Undercarriage	L							
Counterweight	5.4 mt							
Boom Type	Reach		Reach HD				VA	
Stick Length	2.50 m (8'2")	2.92 m (9'7")	2.50 m (8'2")	2.50 m HD (8'2")	2.92 m (9'7")	2.92 m HD (9'7")	2.92 m TR (9'7")	2.50 m (8'2")
G317 GC	✓	✓		✓		✓		✓
G318	✓	✓	✓	✓	✓	✓	✓	✓
G318 WH-800	✓	✓		✓		✓	✓	✓
G318 WH-1100	✓	✓		✓		✓	✓	✓
G324	✓		✓	✓				

Pin Grabber Coupler, continued

Undercarriage	L	LN				SA		
Counterweight	5.4 mt	4.5 mt				4.5 mt		
Boom Type	VA	Reach		VA		Reach		VA
Stick Length	2.92 m (9'7")	2.50 m (8'2")	2.92 m (9'7")	2.50 m (8'2")	2.92 m (9'7")	2.50 m (8'2")	2.92 m (9'7")	2.50 m (8'2")
G317 GC	✓	✓	✓	✓	✓*	✓	✓	✓
G318	✓	✓	✓*			✓	✓*	
G318 WH-800	✓	✓	✓	✓*		✓	✓	✓*
G318 WH-1100	✓	✓*				✓*		
G324								

(continued on next page)

Demolition & Sorting Grapples for Tracked Excavators

Matching – Tracked Excavator (continued)

Match * Working range front only No Match

323, continued

Pin Grabber Coupler, continued

Undercarriage	SA
Counterweight	4.5 mt
Boom Type	VA
Stick Length	2.92 m (9'7")
G317 GC	✓*
G318	
G318 WH-800	
G318 WH-1100	
G324	

CW-40s Dedicated Coupler

Undercarriage	L							
Counterweight	4.2 mt				5.4 mt			
Boom Type	Reach		Reach HD		VA		Reach	
Stick Length	2.50 m (8'2")	2.92 m (9'7")	2.50 m HD (8'2")	2.92 m HD (9'7")	2.50 m (8'2")	2.92 m (9'7")	2.50 m (8'2")	2.92 m (9'7")
G317 GC	✓	✓	✓	✓	✓	✓	✓	✓
G318	✓	✓	✓	✓	✓	✓	✓	✓
G318 WH-800	✓	✓	✓	✓	✓	✓	✓	✓
G318 WH-1100	✓	✓	✓	✓	✓	✓*	✓	✓
G324	✓*						✓	
G324 WH-1500							✓	

CW-40s Dedicated Coupler, continued

Undercarriage	L				LN			
Counterweight	5.4 mt				4.5 mt			
Boom Type	Reach HD		VA		Reach		VA	
Stick Length	2.50 m HD (8'2")	2.92 m HD (9'7")	2.50 m (8'2")	2.92 m (9'7")	2.50 m (8'2")	2.92 m (9'7")	2.50 m (8'2")	2.92 m (9'7")
G317 GC	✓	✓	✓	✓	✓	✓	✓	✓
G318	✓	✓	✓	✓	✓	✓	✓	✓*
G318 WH-800	✓	✓	✓	✓	✓	✓	✓	✓*
G318 WH-1100	✓	✓	✓	✓	✓	✓*		
G324	✓							
G324 WH-1500	✓							

CW-40s Dedicated Coupler, continued

Undercarriage	SA			
Counterweight	4.5 mt			
Boom Type	Reach		VA	
Stick Length	2.50 m (8'2")	2.92 m (9'7")	2.50 m (8'2")	2.92 m (9'7")
G317 GC	✓	✓	✓	✓
G318	✓	✓	✓	✓*
G318 WH-800	✓	✓	✓	✓
G318 WH-1100	✓	✓		
G324				
G324 WH-1500				

(continued on next page)

Demolition & Sorting Grapples for Tracked Excavators

Matching – Tracked Excavator (continued)

Match * Working range front only No Match

323, continued

CW-40 Dedicated Coupler

Undercarriage	L							
Counterweight	4.2 mt						5.4 mt	
Boom Type	Reach		Reach HD		VA		Reach	
Stick Length	2.50 m (8'2")	2.92 m (9'7")	2.50 m HD (8'2")	2.92 m HD (9'7")	2.50 m (8'2")	2.92 m (9'7")	2.50 m (8'2")	2.92 m (9'7")
G317 GC	✓	✓	✓	✓	✓	✓	✓	✓
G317 GC-fixed CAN	✓	✓	✓	✓	✓	✓	✓	✓
G318	✓	✓	✓	✓	✓	✓	✓	✓
G318-fixed CAN	✓	✓	✓	✓	✓	✓	✓	✓
G318 WH-800	✓	✓	✓	✓	✓	✓	✓	✓
G318 WH-1100	✓	✓	✓	✓	✓	✓*	✓	✓
G324	✓*						✓	
G324 WH-1500							✓	

CW-40 Dedicated Coupler, continued

Undercarriage	L				LN			
Counterweight	5.4 mt				4.5 mt			
Boom Type	Reach HD		VA		Reach		VA	
Stick Length	2.50 m HD (8'2")	2.92 m HD (9'7")	2.50 m (8'2")	2.92 m (9'7")	2.50 m (8'2")	2.92 m (9'7")	2.50 m (8'2")	2.92 m (9'7")
G317 GC	✓	✓	✓	✓	✓	✓	✓	✓
G317 GC-fixed CAN	✓	✓	✓	✓	✓	✓	✓	✓
G318	✓	✓	✓	✓	✓	✓	✓	✓*
G318-fixed CAN	✓	✓	✓	✓	✓	✓	✓	✓*
G318 WH-800	✓	✓	✓	✓	✓	✓	✓	✓*
G318 WH-1100	✓	✓	✓	✓	✓	✓*		
G324	✓		✓					
G324 WH-1500	✓							

CW-40 Dedicated Coupler, continued

Undercarriage	SA			
Counterweight	4.5 mt			
Boom Type	Reach		VA	
Stick Length	2.50 m (8'2")	2.92 m (9'7")	2.50 m (8'2")	2.92 m (9'7")
G317 GC	✓	✓	✓	✓
G317 GC-fixed CAN	✓	✓	✓	✓
G318	✓	✓	✓	✓*
G318-fixed CAN	✓	✓	✓	✓*
G318 WH-800	✓	✓	✓	✓*
G318 WH-1100	✓	✓*		
G324				
G324 WH-1500				

(continued on next page)

Demolition & Sorting Grapples for Tracked Excavators

Matching – Tracked Excavator (continued)

Match * Working range front only No Match

323, continued

S70 Dedicated Coupler

Undercarriage	L							
Counterweight	4.2 mt						5.4 mt	
Boom Type	Reach		Reach HD		VA		Reach	
Stick Length	2.50 m (8'2")	2.92 m (9'7")	2.50 m HD (8'2")	2.92 m HD (9'7")	2.50 m (8'2")	2.92 m (9'7")	2.50 m (8'2")	2.92 m (9'7")
G317 GC	✓	✓	✓	✓	✓	✓	✓	✓
G318	✓	✓	✓	✓	✓	✓	✓	✓
G318 WH-800	✓	✓	✓	✓	✓	✓	✓	✓
G318 WH-1100	✓	✓	✓	✓	✓*		✓	✓
G324	✓*						✓	
G324 WH-1500							✓	

S70 Dedicated Coupler, continued

Undercarriage	L				LN			
Counterweight	5.4 mt				4.5 mt			
Boom Type	Reach HD		VA		Reach		VA	
Stick Length	2.50 m HD (8'2")	2.92 m HD (9'7")	2.50 m (8'2")	2.92 m (9'7")	2.50 m (8'2")	2.92 m (9'7")	2.50 m (8'2")	2.92 m (9'7")
G317 GC	✓	✓	✓	✓	✓	✓	✓	✓*
G318	✓	✓	✓	✓	✓	✓	✓*	
G318 WH-800	✓	✓	✓	✓	✓	✓	✓*	
G318 WH-1100	✓	✓	✓	✓	✓*			
G324	✓							
G324 WH-1500	✓							

S70 Dedicated Coupler, continued

Undercarriage	SA			
Counterweight	4.5 mt			
Boom Type	Reach		VA	
Stick Length	2.50 m (8'2")	2.92 m (9'7")	2.50 m (8'2")	2.92 m (9'7")
G317 GC	✓	✓	✓	✓
G318	✓	✓	✓*	
G318 WH-800	✓	✓	✓	✓*
G318 WH-1100	✓	✓*		
G324				
G324 WH-1500				

(continued on next page)

Demolition & Sorting Grapples for Tracked Excavators

Matching – Tracked Excavator (continued)

Match * Working range front only No Match

323, continued

TRS18-CW-30s

Undercarriage	L							
Counterweight	4.2 mt						5.4 mt	
Boom Type	Reach		Reach HD		VA		Reach	
Stick Length	2.50 m (8'2")	2.92 m (9'7")	2.50 m HD (8'2")	2.92 m HD (9'7")	2.50 m (8'2")	2.92 m (9'7")	2.50 m (8'2")	2.92 m (9'7")
G217 GC	✓	✓	✓	✓	✓	✓	✓	✓
G217 GC-fixed CAN	✓	✓	✓	✓	✓	✓	✓	✓

TRS18-CW-30s, continued

Undercarriage	L				LN			
Counterweight	5.4 mt				4.5 mt			
Boom Type	Reach HD		VA		Reach		VA	
Stick Length	2.50 m HD (8'2")	2.92 m HD (9'7")	2.50 m (8'2")	2.92 m (9'7")	2.50 m (8'2")	2.92 m (9'7")	2.50 m (8'2")	2.92 m (9'7")
G217 GC	✓	✓	✓	✓	✓	✓	✓*	
G217 GC-fixed CAN	✓	✓	✓	✓	✓	✓	✓	✓*

TRS18-CW-30s, continued

Undercarriage	SA			
Counterweight	4.5 mt			
Boom Type	Reach		VA	
Stick Length	2.50 m (8'2")	2.92 m (9'7")	2.50 m (8'2")	2.92 m (9'7")
G217 GC	✓	✓	✓*	
G217 GC-fixed CAN	✓	✓	✓	✓*

TRS18-CW-30

Undercarriage	L							
Counterweight	4.2 mt						5.4 mt	
Boom Type	Reach		Reach HD		VA		Reach	
Stick Length	2.50 m (8'2")	2.92 m (9'7")	2.50 m HD (8'2")	2.92 m HD (9'7")	2.50 m (8'2")	2.92 m (9'7")	2.50 m (8'2")	2.92 m (9'7")
G217 GC	✓	✓	✓	✓	✓	✓*	✓	✓
G217 GC-fixed CAN	✓	✓	✓	✓	✓	✓	✓	✓

TRS18-CW-30, continued

Undercarriage	L				LN			
Counterweight	5.4 mt				4.5 mt			
Boom Type	Reach HD		VA		Reach		VA	
Stick Length	2.50 m HD (8'2")	2.92 m HD (9'7")	2.50 m (8'2")	2.92 m (9'7")	2.50 m (8'2")	2.92 m (9'7")	2.50 m (8'2")	2.92 m (9'7")
G217 GC	✓	✓	✓	✓	✓	✓	✓*	
G217 GC-fixed CAN	✓	✓	✓	✓	✓	✓	✓	✓*

TRS18-CW-30, continued

Undercarriage	SA			
Counterweight	4.5 mt			
Boom Type	Reach		VA	
Stick Length	2.50 m (8'2")	2.92 m (9'7")	2.50 m (8'2")	2.92 m (9'7")
G217 GC	✓	✓	✓*	
G217 GC-fixed CAN	✓	✓	✓	✓*

(continued on next page)

Demolition & Sorting Grapples for Tracked Excavators

Matching – Tracked Excavator (continued)

Match * Working range front only No Match

323, continued

TRS18-S70

Undercarriage	L							
Counterweight	4.2 mt						5.4 mt	
Boom Type	Reach		Reach HD		VA		Reach	
Stick Length	2.50 m (8'2")	2.92 m (9'7")	2.50 m HD (8'2")	2.92 m HD (9'7")	2.50 m (8'2")	2.92 m (9'7")	2.50 m (8'2")	2.92 m (9'7")
G217 GC	✓	✓	✓	✓	✓	✓	✓	✓

TRS18-S70, continued

Undercarriage	L				LN		SA	
Counterweight	5.4 mt				4.5 mt		4.5 mt	
Boom Type	Reach HD		VA		Reach		VA	Reach
Stick Length	2.50 m HD (8'2")	2.92 m HD (9'7")	2.50 m (8'2")	2.92 m (9'7")	2.50 m (8'2")	2.92 m (9'7")	2.50 m (8'2")	2.50 m (8'2")
G217 GC	✓	✓	✓	✓	✓	✓	✓*	✓

TRS18-S70, continued

Undercarriage	SA	
Counterweight	4.5 mt	
Boom Type	Reach	VA
Stick Length	2.92 m (9'7")	2.50 m (8'2")
G217 GC	✓	✓*

324E

Pin-on

Undercarriage	L							LN
Counterweight	-							-
Boom Type	Reach ES		Reach HD		VA		ME	Reach ES
Stick Length	2.50 m ES (8'2")	2.95 m ES (9'8")	2.50 m HD (8'2")	2.95 m HD (9'8")	2.50 m HD (8'2")	2.95 m HD (9'8")	2.50 m (8'2")	2.50 m ES (8'2")
G324	✓	✓	✓	✓	✓	✓		✓
G324 WH-1500	✓	✓	✓	✓	✓	✓		✓
G324 WH-1800	✓	✓	✓	✓	✓	✓		✓
G324 WH-2000	✓	✓*	✓	✓	✓*			✓*
G332	✓	✓	✓	✓	✓	✓	✓	✓

Pin-on, continued

Undercarriage	LN					
Counterweight	-					
Boom Type	Reach ES	Reach HD		VA		ME
Stick Length	2.95 m ES (9'8")	2.50 m HD (8'2")	2.95 m HD (9'8")	2.50 m HD (8'2")	2.95 m HD (9'8")	2.50 m (8'2")
G324	✓	✓	✓	✓	✓	
G324 WH-1500	✓	✓	✓	✓	✓	
G324 WH-1800	✓*	✓	✓*	✓*		
G324 WH-2000		✓*				
G332	✓*	✓	✓	✓*		✓

(continued on next page)

Demolition & Sorting Grapples for Tracked Excavators

Matching – Tracked Excavator (continued)

Match * Working range front only No Match

324E continued

Pin Grabber Coupler

Undercarriage	L							LN
Counterweight	-							-
Boom Type	Reach ES		Reach HD		VA		ME	Reach ES
Stick Length	2.50 m ES (8'2")	2.95 m ES (9'8")	2.50 m HD (8'2")	2.95 m HD (9'8")	2.50 m HD (8'2")	2.95 m HD (9'8")	2.50 m (8'2")	2.50 m ES (8'2")
G324	✓	✓	✓	✓	✓	✓*		✓
G324 WH-1500	✓	✓*	✓	✓	✓*			✓*
G324 WH-1800	✓*		✓*	✓*				
G324 WH-2000			✓*					
G332	✓*		✓	✓*			✓	

Pin Grabber Coupler, continued

Undercarriage	LN				
Counterweight	-				
Boom Type	Reach ES	Reach HD		VA	ME
Stick Length	2.95 m ES (9'8")	2.50 m HD (8'2")	2.95 m HD (9'8")	2.50 m HD (8'2")	2.50 m (8'2")
G324	✓*	✓	✓*	✓*	
G324 WH-1500		✓*			
G324 WH-1800					
G324 WH-2000					
G332					✓*

CW-40 Dedicated Coupler

Undercarriage	L							LN
Counterweight	-							-
Boom Type	Reach ES		Reach HD		VA		Reach ES	
Stick Length	2.50 m ES (8'2")	2.95 m ES (9'8")	2.50 m HD (8'2")	2.95 m HD (9'8")	2.50 m HD (8'2")	2.95 m HD (9'8")	2.50 m ES (8'2")	2.95 m ES (9'8")
G324	✓	✓	✓	✓	✓	✓	✓	✓
G324 WH-1500	✓	✓	✓	✓	✓	✓	✓	✓*
G324 WH-1800	✓	✓*	✓	✓	✓*		✓*	
G324 WH-2000	✓*		✓	✓*				
G332	✓	✓	✓	✓	✓	✓*	✓*	

CW-40 Dedicated Coupler, continued

Undercarriage	LN			
Counterweight	-			
Boom Type	Reach HD		VA	
Stick Length	2.50 m HD (8'2")	2.95 m HD (9'8")	2.50 m HD (8'2")	2.95 m HD (9'8")
G324	✓	✓	✓	✓*
G324 WH-1500	✓	✓	✓*	
G324 WH-1800	✓*			
G324 WH-2000				
G332	✓	✓*		

(continued on next page)

Demolition & Sorting Grapples for Tracked Excavators

Matching – Tracked Excavator (continued)

Match
 * Working range front only
 No Match

324E, continued

CW-45s Dedicated Coupler

Undercarriage	L	LN
Counterweight	-	-
Boom Type	ME	ME
Stick Length	2.50 m (8'2")	2.50 m (8'2")
G332	✓	✓*

CW-45 Dedicated Coupler

Undercarriage	L	LN
Counterweight	-	-
Boom Type	ME	ME
Stick Length	2.50 m (8'2")	2.50 m (8'2")
G332	✓	✓*

325F CR

Pin-on

Undercarriage	L	
Counterweight	-	
Boom Type	Reach	VA
Stick Length	2.92 m HD (9'7")	2.92 m HD (9'7")
G317 GC	✓	✓
G318	✓	✓
G318 WH-800	✓	✓
G318 WH-1100	✓	✓

Pin Grabber Coupler

Undercarriage	L	
Counterweight	-	
Boom Type	Reach	VA
Stick Length	2.92 m HD (9'7")	2.92 m HD (9'7")
G317 GC	✓	✓
G318	✓	✓*
G318 WH-800	✓	✓
G318 WH-1100	✓*	

CW-40s Dedicated Coupler

Undercarriage	L	
Counterweight	-	
Boom Type	Reach	VA
Stick Length	2.92 m HD (9'7")	2.92 m HD (9'7")
G317 GC	✓	✓
G318	✓	✓
G318 WH-800	✓	✓
G318 WH-1100	✓	✓*

(continued on next page)

Demolition & Sorting Grapples for Tracked Excavators

Matching – Tracked Excavator (continued)

Match
 * Working range front only
 No Match

325F CR, continued

CW-40 Dedicated Coupler

Undercarriage	L	
Counterweight	-	
Boom Type	Reach	VA
Stick Length	2.92 m HD (9'7")	2.92 m HD (9'7")
G317 GC	✓	✓
G317 GC-fixed CAN	✓	✓
G318	✓	✓
G318-fixed CAN	✓	✓
G318 WH-800	✓	✓
G318 WH-1100	✓	✓*

S70 Dedicated Coupler

Undercarriage	L	
Counterweight	-	
Boom Type	Reach	VA
Stick Length	2.92 m HD (9'7")	2.92 m HD (9'7")
G317 GC	✓	✓
G318	✓	✓*
G318 WH-800	✓	✓
G318 WH-1100	✓	

TRS18-CW-30s

Undercarriage	L	
Counterweight	-	
Boom Type	Reach	VA
Stick Length	2.92 m HD (9'7")	2.92 m HD (9'7")
G217 GC	✓	✓
G217 GC-fixed CAN	✓	✓

TRS18-CW-30

Undercarriage	L	
Counterweight	-	
Boom Type	Reach	VA
Stick Length	2.92 m HD (9'7")	2.92 m HD (9'7")
G217 GC	✓	✓*
G217 GC-fixed CAN	✓	✓

TRS18-S70

Undercarriage	L	
Counterweight	-	
Boom Type	Reach	VA
Stick Length	2.92 m HD (9'7")	2.92 m HD (9'7")
G217 GC	✓	✓

(continued on next page)

Demolition & Sorting Grapples for Tracked Excavators

Matching – Tracked Excavator (continued)

Match
 * Working range front only
 No Match

325								
Pin-on								
Undercarriage	L						L w/blade	
Counterweight	8.3 mt						4.9 mt	
Boom Type	Reach			Reach HD		VA	Reach	
Stick Length	2.92 m (9'7")	2.92 m HD (9'7")	2.92 m TR (9'7")	2.92 m (9'7")	2.92 m HD (9'7")	2.92 m (9'7")	2.92 m (9'7")	2.92 m HD (9'7")
G317 GC	✓	✓		✓	✓	✓	✓	✓
G318	✓	✓	✓	✓	✓	✓	✓	✓
G318 WH-800	✓	✓	✓	✓	✓	✓	✓	✓
G318 WH-1100	✓	✓	✓	✓	✓	✓	✓	✓
G324	✓	✓	✓	✓	✓	✓		
G324 WH-1500	✓	✓	✓	✓	✓			

Pin-on, continued

Undercarriage	L w/blade			
Counterweight	4.9 mt			
Boom Type	Reach	Reach HD		VA
Stick Length	2.92 m TR (9'7")	2.92 m (9'7")	2.92 m HD (9'7")	2.92 m (9'7")
G317 GC		✓	✓	✓
G318	✓	✓	✓	✓
G318 WH-800	✓	✓	✓	✓
G318 WH-1100	✓	✓	✓	✓*
G324				
G324 WH-1500				

Pin Grabber Coupler

Undercarriage	L						L w/blade	
Counterweight	8.3 mt						4.9 mt	
Boom Type	Reach			Reach HD		VA	Reach	
Stick Length	2.92 m (9'7")	2.92 m HD (9'7")	2.92 m TR (9'7")	2.92 m (9'7")	2.92 HD (9'7")	2.92 m (9'7")	2.92 m (9'7")	2.92 m HD (9'7")
G317 GC	✓	✓		✓	✓	✓	✓	✓
G318	✓	✓	✓	✓	✓	✓	✓	✓*
G318 WH-800	✓	✓	✓	✓	✓	✓	✓	✓
G318 WH-1100	✓	✓	✓	✓	✓	✓		

Pin Grabber Coupler, continued

Undercarriage	L w/blade			
Counterweight	4.9 mt			
Boom Type	Reach	Reach HD		VA
Stick Length	2.92 m TR (9'7")	2.92 m (9'7")	2.92 m HD (9'7")	2.92 m (9'7")
G317 GC		✓	✓	✓*
G318	✓*	✓*	✓*	
G318 WH-800	✓	✓	✓	
G318 WH-1100				

(continued on next page)

Demolition & Sorting Grapples for Tracked Excavators

Matching – Tracked Excavator (continued)

Match * Working range front only No Match

325, continued

CW-40s Dedicated Coupler

Undercarriage	L					L w/blade		
Counterweight	8.3 mt					4.9 mt		
Boom Type	Reach		Reach HD		VA	Reach		Reach HD
Stick Length	2.92 m (9'7")	2.92 m HD (9'7")	2.92 m (9'7")	2.92 m HD (9'7")	2.92 m (9'7")	2.92 m (9'7")	2.92 m HD (9'7")	2.92 m (9'7")
G317 GC	✓	✓	✓	✓	✓	✓	✓	✓
G318	✓	✓	✓	✓	✓	✓	✓	✓
G318 WH-800	✓	✓	✓	✓	✓	✓	✓	✓
G318 WH-1100	✓	✓	✓	✓	✓	✓	✓*	✓

CW-40s Dedicated Coupler, continued

Undercarriage	L w/blade	
Counterweight	4.9 mt	
Boom Type	Reach HD	VA
Stick Length	2.92 m HD (9'7")	2.92 m (9'7")
G317 GC	✓	✓
G318	✓	✓*
G318 WH-800	✓	✓
G318 WH-1100	✓*	

CW-40 Dedicated Coupler

Undercarriage	L					L w/blade		
Counterweight	8.3 mt					4.9 mt		
Boom Type	Reach		Reach HD		VA	Reach		Reach HD
Stick Length	2.92 m (9'7")	2.92 m HD (9'7")	2.92 m (9'7")	2.92 m HD (9'7")	2.92 m (9'7")	2.92 m (9'7")	2.92 m HD (9'7")	2.92 m (9'7")
G317 GC	✓	✓	✓	✓	✓	✓	✓	✓
G317 GC-fixed CAN	✓	✓	✓	✓	✓	✓	✓	✓
G318	✓	✓	✓	✓	✓	✓	✓	✓
G318-fixed CAN	✓	✓	✓	✓	✓	✓	✓	✓
G318 WH-800	✓	✓	✓	✓	✓	✓	✓	✓
G318 WH-1100	✓	✓	✓	✓	✓	✓	✓*	✓*

CW-40 Dedicated Coupler, continued

Undercarriage	L w/blade	
Counterweight	4.9 mt	
Boom Type	Reach HD	VA
Stick Length	2.92 m HD (9'7")	2.92 m (9'7")
G317 GC	✓	✓
G317 GC-fixed CAN	✓	✓
G318	✓	✓*
G318-fixed CAN	✓	✓
G318 WH-800	✓	✓
G318 WH-1100	✓*	

(continued on next page)

Demolition & Sorting Grapples for Tracked Excavators

Matching – Tracked Excavator (continued)

Match * Working range front only No Match

325, continued

S70 Dedicated Coupler

Undercarriage	L					L w/blade		
Counterweight	8.3 mt					4.9 mt		
Boom Type	Reach		Reach HD		VA	Reach		Reach HD
Stick Length	2.92 m (9'7")	2.92 m HD (9'7")	2.92 m (9'7")	2.92 m HD (9'7")	2.92 m (9'7")	2.92 m (9'7")	2.92 m HD (9'7")	2.92 m (9'7")
G317 GC	✓	✓	✓	✓	✓	✓	✓	✓
G318	✓	✓	✓	✓	✓	✓	✓	✓
G318 WH-800	✓	✓	✓	✓	✓	✓	✓	✓
G318 WH-1100	✓	✓	✓	✓	✓	✓*		✓*

S70 Dedicated Coupler, continued

Undercarriage	L w/blade	
Counterweight	4.9 mt	
Boom Type	Reach HD	VA
Stick Length	2.92 m HD (9'7")	2.92 m (9'7")
G317 GC	✓	✓
G318	✓	
G318 WH-800	✓	✓*
G318 WH-1100		

TRS18-CW-30s

Undercarriage	L					L w/blade		
Counterweight	8.3 mt					4.9 mt		
Boom Type	Reach		Reach HD		VA	Reach		Reach HD
Stick Length	2.92 m (9'7")	2.92 m HD (9'7")	2.92 m (9'7")	2.92 m HD (9'7")	2.92 m (9'7")	2.92 m (9'7")	2.92 m HD (9'7")	2.92 m (9'7")
G217 GC	✓	✓	✓	✓	✓	✓	✓	✓
G217 GC-fixed CAN	✓	✓	✓	✓	✓	✓	✓	✓

TRS18-CW-30s, continued

Undercarriage	L w/blade	
Counterweight	4.9 mt	
Boom Type	Reach HD	VA
Stick Length	2.92 m HD (9'7")	2.92 m (9'7")
G217 GC	✓	✓*
G217 GC-fixed CAN	✓	✓

TRS18-CW-30

Undercarriage	L					L w/blade		
Counterweight	8.3 mt					4.9 mt		
Boom Type	Reach		Reach HD		VA	Reach		Reach HD
Stick Length	2.92 m (9'7")	2.92 m HD (9'7")	2.92 m (9'7")	2.92 m HD (9'7")	2.92 m (9'7")	2.92 m (9'7")	2.92 m HD (9'7")	2.92 m (9'7")
G217 GC	✓	✓	✓	✓	✓	✓	✓	✓
G217 GC-fixed CAN	✓	✓	✓	✓	✓	✓	✓	✓

(continued on next page)

Demolition & Sorting Grapples for Tracked Excavators

Matching – Tracked Excavator (continued)

Match * Working range front only No Match

325, continued

TRS18-CW-30, continued

Undercarriage	L w/blade	
Counterweight	4.9 mt	
Boom Type	Reach HD	VA
Stick Length	2.92 m HD (9'7")	2.92 m (9'7")
G217 GC	✓	
G217 GC-fixed CAN	✓	✓*

TRS18-S70

Undercarriage	L				L w/blade			
Counterweight	8.3 mt				4.9 mt			
Boom Type	Reach		Reach HD		VA	Reach		Reach HD
Stick Length	2.92 m (9'7")	2.92 m HD (9'7")	2.92 m (9'7")	2.92 m HD (9'7")	2.92 m (9'7")	2.92 m (9'7")	2.92 m HD (9'7")	2.92 m (9'7")
G217 GC	✓	✓	✓	✓	✓	✓	✓	✓

TRS18-S70, continued

Undercarriage	L w/blade	
Counterweight	4.9 mt	
Boom Type	Reach HD	VA
Stick Length	2.92 m HD (9'7")	2.92 m (9'7")
G217 GC	✓	✓*

326D2

Pin-on

Undercarriage	L		
Counterweight	-		
Boom Type	Reach		Reach HD
Stick Length	2.50 m (8'2")	2.95 m (9'8")	2.95 m HD (9'8")
G324	✓	✓	✓
G324 WH-1500	✓		✓
G324 WH-1800	✓		✓*
G324 WH-2000	✓		
G332	✓	✓	✓*

Pin Grabber Coupler

Undercarriage	L		
Counterweight	-		
Boom Type	Reach		Reach HD
Stick Length	2.50 m (8'2")	2.95 m (9'8")	2.95 m HD (9'8")
G324	✓	✓*	✓*
G324 WH-1500	✓		

(continued on next page)

Demolition & Sorting Grapples for Tracked Excavators

Matching – Tracked Excavator (continued)

Match
 * Working range front only
 No Match

326D2, continued

CW-40 Dedicated Coupler

Undercarriage	L	
Counterweight	-	
Boom Type	Reach	Reach HD
Stick Length	2.50 m HD (8'2")	2.95 m HD (9'8")
G324	✓	✓
G324 WH-1500	✓	✓*
G324 WH-1800	✓	
G324 WH-2000	✓*	
G332	✓	

326F

Pin-on

Undercarriage	L					LN		
Counterweight	-					-		
Boom Type	Reach HD			VA		Reach HD		VA
Stick Length	2.50 m HD (8'2")	2.95 m HD (9'8")	3.60 m HD (11'10")	2.50 m HD (8'2")	2.95 m HD (9'8")	2.50 m HD (8'2")	2.95 m HD (9'8")	2.50 m HD (8'2")
G324	✓	✓	✓	✓	✓	✓	✓	✓
G324 WH-1500	✓	✓	✓*	✓	✓	✓	✓	✓*
G324 WH-1800	✓	✓		✓*		✓*		
G324 WH-2000	✓	✓*						
G332	✓	✓		✓	✓*	✓		

Pin-on, continued

Undercarriage	LN
Counterweight	-
Boom Type	VA
Stick Length	2.95 m HD (9'8")
G324	✓*
G324 WH-1500	
G324 WH-1800	
G324 WH-2000	
G332	

Pin Grabber Coupler

Undercarriage	L		LN	
Counterweight	-		-	
Boom Type	Reach HD		VA	Reach HD
Stick Length	2.50 m HD (8'2")	2.95 m HD (9'8")	2.50 m HD (8'2")	2.50 m HD (8'2")
G324	✓	✓*	✓*	✓*
G324 WH-1500	✓			

(continued on next page)

Demolition & Sorting Grapples for Tracked Excavators

Matching – Tracked Excavator (continued)

Match * Working range front only No Match

326F, continued

CW-40 Dedicated Coupler

Undercarriage	L				LN		
Counterweight	-						
Boom Type	Reach HD		VA		Reach HD		VA
Stick Length	2.50 m HD (8'2")	2.95 m HD (9'8")	2.50 m HD (8'2")	2.95 m HD (9'8")	2.50 m HD (8'2")	2.95 m HD (9'8")	2.50 m HD (8'2")
G324	✓	✓	✓	✓*	✓	✓*	✓*
G324 WH-1500	✓	✓	✓	✓*	✓		
G324 WH-1800	✓	✓*					
G324 WH-2000	✓*						
G332	✓	✓*	✓*				

S70 Dedicated Coupler

Undercarriage	L				LN		
Counterweight	-						
Boom Type	Reach HD		VA		Reach HD		VA
Stick Length	2.50 m HD (8'2")	2.95 m HD (9'8")	2.50 m HD (8'2")	2.95 m HD (9'8")	2.50 m HD (8'2")	2.95 m HD (9'8")	2.50 m HD (8'2")
G324	✓	✓	✓	✓*	✓	✓*	✓*
G324 WH-1500	✓	✓	✓	✓*	✓*		
G324 WH-1800	✓						
G332	✓	✓*	✓*				

S80 Dedicated Coupler

Undercarriage	L			LN
Counterweight	-			
Boom Type	Reach HD		VA	Reach HD
Stick Length	2.50 m HD (8'2")	2.95 m HD (9'8")	2.50 m HD (8'2")	2.50 m HD (8'2")
G324	✓	✓	✓*	✓*
G324 WH-1500	✓	✓*	✓*	
G324 WH-1800	✓*			
G332	✓*			

326

Pin-on

Undercarriage	L						LN	
Counterweight	4.6 mt						4.6 mt	
Boom Type	Reach			Reach HD		VA		Reach
Stick Length	2.50 m (8'2")	2.95 m (9'8")	3.60 m (11'10")	2.50 m (8'2")	2.95 m HD (9'8")	2.50 m (8'2")	2.95 m (9'8")	2.50 m (8'2")
G324	✓	✓	✓	✓	✓	✓	✓	✓
G324 WH-1500	✓	✓	✓	✓	✓	✓	✓	✓
G324 WH-1800	✓	✓		✓	✓*	✓	✓*	✓*
G324 WH-2000	✓	✓*		✓	✓*			

(continued on next page)

Demolition & Sorting Grapples for Tracked Excavators

Matching – Tracked Excavator (continued)

Match * Working range front only No Match

326, continued

Pin-on, continued

Undercarriage	LN			
Counterweight	4.6 mt			
Boom Type	Reach	Reach HD	VA	
Stick Length	2.95 m (9'8")	2.95 m HD (9'8")	2.50 m (8'2")	2.95 m (9'8")
G324	✓	✓	✓	✓*
G324 WH-1500	✓	✓*	✓	✓*
G324 WH-1800				
G324 WH-2000				

Pin Grabber Coupler

Undercarriage	L						LN
Counterweight	4.6 mt						4.6 mt
Boom Type	Reach		Reach HD		VA		Reach
Stick Length	2.50 m (8'2")	2.95 m (9'8")	2.50 m (8'2")	2.95 m HD (9'8")	2.50 m (8'2")	2.95 m (9'8")	2.50 m (8'2")
G324	✓	✓	✓	✓*	✓	✓*	✓*
G324 WH-1500	✓	✓*	✓	✓*	✓*		
G324 WH-1800	✓*						

CW-40 Dedicated Coupler

Undercarriage	L						LN	
Counterweight	4.6 mt						4.6 mt	
Boom Type	Reach		Reach HD		VA		Reach	
Stick Length	2.50 m (8'2")	2.95 m (9'8")	2.50 m (8'2")	2.95 m HD (9'8")	2.50 m (8'2")	2.95 m (9'8")	2.50 m (8'2")	2.95 m (9'8")
G324	✓	✓	✓	✓	✓	✓	✓	✓*
G324 WH-1500	✓	✓	✓	✓	✓	✓	✓	✓*
G324 WH-1800	✓	✓*	✓	✓*	✓*			
G324 WH-2000	✓*		✓*					

CW-40 Dedicated Coupler, continued

Undercarriage	LN	
Counterweight	4.6 mt	
Boom Type	Reach HD	VA
Stick Length	2.95 m HD (9'8")	2.50 m (8'2")
G324	✓*	✓*
G324 WH-1500		✓*
G324 WH-1800		
G324 WH-2000		

S70 Dedicated Coupler

Undercarriage	L					LN		
Counterweight	4.6 mt					4.6 mt		
Boom Type	Reach		Reach HD	VA		Reach		Reach HD
Stick Length	2.50 m (8'2")	2.95 m (9'8")	2.95 m HD (9'8")	2.50 m (8'2")	2.95 m (9'8")	2.50 m (8'2")	2.95 m (9'8")	2.95 m HD (9'8")
G324	✓	✓	✓	✓	✓	✓	✓*	✓*
G324 WH-1500	✓	✓	✓	✓	✓*	✓		
G324 WH-1800	✓	✓*	✓*	✓*				
G324 WH-2000	✓*							

(continued on next page)

Demolition & Sorting Grapples for Tracked Excavators

Matching – Tracked Excavator (continued)

Match * Working range front only No Match

326, continued

S70 Dedicated Coupler, continued

Undercarriage	LN
Counterweight	4.6 mt
Boom Type	VA
Stick Length	2.50 m (8'2")
G324	✓*
G324 WH-1500	
G324 WH-1800	
G324 WH-2000	

S80 Dedicated Coupler

Undercarriage	L				LN	
Counterweight	4.6 mt				4.6 mt	
Boom Type	Reach		Reach HD	VA		Reach
Stick Length	2.50 m (8'2")	2.95 m (9'8")	2.95 m HD (9'8")	2.50 m (8'2")	2.95 m (9'8")	2.50 m (8'2")
G324	✓	✓	✓	✓	✓*	✓*
G324 WH-1500	✓	✓*	✓*	✓		✓*
G324 WH-1800	✓*					

329D2

Pin-on

Undercarriage	-	L
Counterweight	-	-
Boom Type	ME	ME
Stick Length	2.50 m (8'2")	2.50 m (8'2")
G345	✓*	✓

CW-45s Dedicated Coupler

Undercarriage	L
Counterweight	-
Boom Type	ME
Stick Length	2.50 m (8'2")
G345	✓*

(continued on next page)

Demolition & Sorting Grapples for Tracked Excavators

Matching – Tracked Excavator (continued)

Match * Working range front only No Match

329D2, continued

CW-45 Dedicated Coupler

Undercarriage	L
Counterweight	-
Boom Type	ME
Stick Length	2.50 m (8'2")
G345	✓*

329E

Pin-on

Undercarriage	L						LN	
Counterweight	-							
Boom Type	Reach ES		Reach HD			ME	Reach ES	
Stick Length	2.65 m ES (8'8")	3.20 m ES (10'6")	2.65 m HD (8'8")	3.20 m HD (10'6")	3.75 m HD (12'4")	2.50 m (8'2")	2.65 m ES (8'8")	3.20 m ES (10'6")
G324	✓	✓	✓	✓	✓		✓	✓
G324 WH-1500	✓	✓	✓	✓	✓		✓	✓
G324 WH-1800	✓	✓	✓	✓	✓		✓	✓
G324 WH-2000	✓	✓	✓	✓	✓		✓	✓*
G332	✓	✓	✓	✓		✓	✓	✓
G345						✓		

Pin-on, continued

Undercarriage	LN		
Counterweight	-		
Boom Type	Reach HD		ME
Stick Length	2.65 m HD (8'8")	3.20 m HD (10'6")	2.50 m (8'2")
G324	✓	✓	
G324 WH-1500	✓	✓	
G324 WH-1800	✓	✓	
G324 WH-2000	✓	✓*	
G332	✓	✓	✓
G345			✓

Pin Grabber Coupler

Undercarriage	L						LN	
Counterweight	-							
Boom Type	Reach ES		Reach HD			ME	Reach ES	
Stick Length	2.65 m ES (8'8")	3.20 m ES (10'6")	2.65 m HD (8'8")	3.20 m HD (10'6")	3.75 m HD (12'4")	2.50 m (8'2")	2.65 m ES (8'8")	3.20 m ES (10'6")
G324	✓	✓	✓	✓	✓		✓	✓*
G324 WH-1500	✓	✓	✓	✓	✓*		✓	
G324 WH-1800	✓	✓*	✓	✓*			✓*	
G324 WH-2000	✓*		✓					
G332	✓	✓*	✓	✓*		✓	✓*	
G345						✓		

(continued on next page)

Demolition & Sorting Grapples for Tracked Excavators

Matching – Tracked Excavator (continued)

Match * Working range front only No Match

329E, continued

Pin Grabber Coupler, continued

Undercarriage	LN		
Counterweight	-		
Boom Type	Reach HD		ME
Stick Length	2.65 m HD (8'8")	3.20 m HD (10'6")	2.50 m (8'2")
G324	✓	✓	
G324 WH-1500	✓	✓*	
G324 WH-1800	✓*		
G324 WH-2000			
G332	✓		✓
G345			

CW-45s Dedicated Coupler

Undercarriage	L				LN			
Counterweight	-				-			
Boom Type	Reach ES		Reach HD		ME	Reach ES		Reach HD
Stick Length	2.65 m ES (8'8")	3.20 m ES (10'6")	2.65 m HD (8'8")	3.20 m HD (10'6")	2.50 m (8'2")	2.65 m ES (8'8")	3.20 m ES (10'6")	2.65 m HD (8'8")
G324	✓	✓	✓	✓		✓	✓*	✓
G324 WH-1500	✓	✓	✓	✓		✓	✓*	✓
G324 WH-1800	✓	✓*	✓	✓		✓*		✓
G324 WH-2000	✓		✓	✓*				✓*
G332	✓		✓		✓	✓*		✓
G345					✓			

CW-45s Dedicated Coupler, continued

Undercarriage	LN	
Counterweight	-	
Boom Type	Reach HD	ME
Stick Length	3.20 m HD (10'6")	2.50 m (8'2")
G324	✓	
G324 WH-1500	✓	
G324 WH-1800		
G324 WH-2000		
G332		✓
G345		✓*

CW-45 Dedicated Coupler

Undercarriage	L				LN			
Counterweight	-				-			
Boom Type	Reach ES		Reach HD		ME	Reach ES		Reach HD
Stick Length	2.65 m ES (8'8")	3.20 m ES (10'6")	2.65 m HD (8'8")	3.20 m HD (10'6")	2.50 m (8'2")	2.65 m ES (8'8")	3.20 m ES (10'6")	2.65 m HD (8'8")
G324	✓	✓	✓	✓		✓	✓*	✓
G324 WH-1500	✓	✓	✓	✓		✓		✓
G324 WH-1800	✓	✓*	✓	✓*		✓*		✓*
G324 WH-2000	✓*		✓					
G332	✓		✓		✓	✓*		✓
G345					✓			

(continued on next page)

Demolition & Sorting Grapples for Tracked Excavators

Matching – Tracked Excavator *(continued)*

Match
 * Working range front only
 No Match

329E, *continued*

CW-45 Dedicated Coupler, *continued*

Undercarriage	LN	
Counterweight	-	
Boom Type	Reach HD	ME
Stick Length	3.20 m HD (10'6")	2.50 m (8'2")
G324	✓	
G324 WH-1500	✓*	
G324 WH-1800		
G324 WH-2000		
G332		✓
G345		✓*

330D2

Pin-on

Undercarriage	L			
Counterweight	-			
Boom Type	Reach	Reach HD		ME
Stick Length	2.65 m (8'8")	2.65 m HD (8'8")	3.20 m HD (10'6")	2.50 m (8'2")
G324	✓	✓	✓	✓
G324 WH-1500	✓	✓	✓	
G324 WH-1800	✓	✓	✓	
G324 WH-2000	✓	✓	✓*	
G332	✓	✓	✓	✓
G345				✓

Pin Grabber Coupler

Undercarriage	L			
Counterweight	-			
Boom Type	Reach	Reach HD		ME
Stick Length	2.65 m (8'8")	2.65 m HD (8'8")	3.20 m HD (10'6")	2.50 m (8'2")
G324	✓	✓	✓*	✓
G324 WH-1500	✓	✓		
G324 WH-1800	✓*	✓*		
G332	✓	✓*		✓

(continued on next page)

Demolition & Sorting Grapples for Tracked Excavators

Matching – Tracked Excavator (continued)

Match
 * Working range front only
 No Match

330D2, continued

CW-45s Dedicated Coupler

Undercarriage	L			
Counterweight	-			
Boom Type	Reach	Reach HD		ME
Stick Length	2.65 m (8'8")	2.65 m HD (8'8")	3.20 m HD (10'6")	2.50 m (8'2")
G324	✓	✓	✓	✓
G324 WH-1500	✓	✓	✓*	
G324 WH-1800	✓	✓*		
G324 WH-2000	✓*			
G332	✓	✓*		✓
G345				✓*

CW-45 Dedicated Coupler

Undercarriage	L			
Counterweight	-			
Boom Type	Reach	Reach HD		ME
Stick Length	2.65 m (8'8")	2.65 m HD (8'8")	3.20 m HD (10'6")	2.50 m (8'2")
G324	✓	✓	✓*	✓
G324 WH-1500	✓	✓		
G324 WH-1800	✓*	✓*		
G332	✓	✓*		✓
G345				✓*

330F

Pin-on

Undercarriage	L			LN	
Counterweight	-			-	
Boom Type	Reach HD			Reach HD	
Stick Length	2.65 m HD (8'8")	3.20 m HD (10'6")	3.75 m HD (12'4")	2.65 m HD (8'8")	3.20 m HD (10'6")
G324	✓	✓	✓	✓	✓
G324 WH-1500	✓	✓	✓	✓	✓
G324 WH-1800	✓	✓	✓	✓	✓
G324 WH-2000	✓	✓	✓*	✓	✓*
G332	✓	✓	✓	✓	✓

Pin Grabber Coupler

Undercarriage	L			LN	
Counterweight	-			-	
Boom Type	Reach HD			Reach HD	
Stick Length	2.65 m HD (8'8")	3.20 m HD (10'6")	3.75 m HD (12'4")	2.65 m HD (8'8")	3.20 m HD (10'6")
G324	✓	✓	✓*	✓	✓
G324 WH-1500	✓	✓	✓*	✓	✓*
G324 WH-1800	✓	✓*		✓*	
G324 WH-2000	✓*				
G332	✓	✓*		✓*	

(continued on next page)

Demolition & Sorting Grapples for Tracked Excavators

Matching – Tracked Excavator (continued)

Match * Working range front only No Match

330F, continued

CW-45s Dedicated Coupler

Undercarriage	L		LN	
Counterweight	-		-	
Boom Type	Reach HD		Reach HD	
Stick Length	2.65 m HD (8'8")	3.20 m HD (10'6")	2.65 m HD (8'8")	3.20 m HD (10'6")
G324	✓	✓	✓	✓
G324 WH-1500	✓	✓	✓	✓*
G324 WH-1800	✓	✓*	✓*	
G324 WH-2000	✓			
G332	✓	✓	✓	

CW-45 Dedicated Coupler

Undercarriage	L		LN	
Counterweight	-		-	
Boom Type	Reach HD		Reach HD	
Stick Length	2.65 m HD (8'8")	3.20 m HD (10'6")	2.65 m HD (8'8")	3.20 m HD (10'6")
G324	✓	✓	✓	✓*
G324 WH-1500	✓	✓	✓	✓*
G324 WH-1800	✓	✓*	✓*	
G324 WH-2000	✓*			
G332	✓	✓*	✓*	

S70 Dedicated Coupler

Undercarriage	L		LN	
Counterweight	-		-	
Boom Type	Reach HD		Reach HD	
Stick Length	2.65 m HD (8'8")	3.20 m HD (10'6")	2.65 m HD (8'8")	3.20 m HD (10'6")
G324	✓	✓	✓	✓
G324 WH-1500	✓	✓	✓	✓
G324 WH-1800	✓	✓	✓	✓*
G324 WH-2000	✓	✓*	✓*	
G332	✓	✓	✓	✓*

S80 Dedicated Coupler

Undercarriage	L		LN	
Counterweight	-		-	
Boom Type	Reach HD		Reach HD	
Stick Length	2.65 m HD (8'8")	3.20 m HD (10'6")	2.65 m HD (8'8")	3.20 m HD (10'6")
G324	✓	✓	✓	✓
G324 WH-1500	✓	✓	✓	✓*
G324 WH-1800	✓	✓*	✓*	
G324 WH-2000	✓			
G332	✓	✓	✓	

(continued on next page)

Demolition & Sorting Grapples for Tracked Excavators

Matching – Tracked Excavator (continued)

Match * Working range front only No Match

330 GC

Pin-on

Undercarriage	-						L	
Counterweight	5.8 mt			6.7 mt			6.7 mt	
Boom Type	Reach		ME	Reach		ME	Reach	
Stick Length	2.65 m (8'8")	3.20 m (10'6")	2.50 m (8'2")	2.65 m (8'8")	3.20 m (10'6")	2.50 m (8'2")	2.65 m (8'8")	3.20 m (10'6")
G324	✓	✓		✓	✓		✓	✓
G324 WH-1500	✓	✓		✓	✓		✓	✓
G324 WH-1800	✓	✓*		✓	✓		✓	✓
G324 WH-2000	✓*			✓	✓*		✓	✓
G332	✓	✓*	✓	✓	✓	✓	✓	✓
G345			✓*			✓		

Pin-on, continued

Undercarriage	LN	
Counterweight	6.7 mt	
Boom Type	Reach	
Stick Length	2.65 m (8'8")	3.20 m (10'6")
G324	✓	✓
G324 WH-1500	✓	✓
G324 WH-1800	✓	✓
G324 WH-2000	✓	✓
G332	✓	✓
G345		

Pin Grabber Coupler

Undercarriage	-						L	LN
Counterweight	5.8 mt		6.7 mt			6.7 mt		6.7 mt
Boom Type	Reach	ME	Reach		ME	Reach		Reach
Stick Length	2.65 m (8'8")	2.50 m (8'2")	2.65 m (8'8")	3.20 m (10'6")	2.50 m (8'2")	2.65 m (8'8")	3.20 m (10'6")	2.65 m (8'8")
G324	✓*		✓	✓		✓	✓	✓
G324 WH-1500	✓*		✓	✓*		✓	✓	✓
G324 WH-1800			✓*			✓	✓	✓
G324 WH-2000						✓		✓*
G332		✓*	✓		✓	✓	✓	✓

Pin Grabber Coupler, continued

Undercarriage	LN
Counterweight	6.7 mt
Boom Type	Reach
Stick Length	3.20 m (10'6")
G324	✓
G324 WH-1500	✓
G324 WH-1800	
G324 WH-2000	
G332	✓*

(continued on next page)

Demolition & Sorting Grapples for Tracked Excavators

Matching – Tracked Excavator (continued)

Match
 * Working range front only
 No Match

330 GC, continued

CW-45s Dedicated Coupler

Undercarriage	-						L	
Counterweight	5.8 mt			6.7 mt			6.7 mt	
Boom Type	Reach		ME	Reach		ME	Reach	
Stick Length	2.65 m (8'8")	3.20 m (10'6")	2.50 m (8'2")	2.65 m (8'8")	3.20 m (10'6")	2.50 m (8'2")	2.65 m (8'8")	3.20 m (10'6")
G324	✓	✓*		✓	✓		✓	✓
G324 WH-1500	✓*			✓	✓		✓	✓
G324 WH-1800				✓			✓	✓
G324 WH-2000				✓*			✓	✓*
G332			✓	✓	✓*	✓	✓	✓
G345						✓*		

CW-45s Dedicated Coupler, continued

Undercarriage	LN	
Counterweight	6.7 mt	
Boom Type	Reach	
Stick Length	2.65 m (8'8")	3.20 m (10'6")
G324	✓	✓
G324 WH-1500	✓	✓
G324 WH-1800	✓	✓*
G324 WH-2000	✓*	
G332	✓	✓*
G345		

CW-45 Dedicated Coupler

Undercarriage	-					L		LN
Counterweight	5.8 mt		6.7 mt			6.7 mt		6.7 mt
Boom Type	Reach	ME	Reach		ME	Reach		Reach
Stick Length	2.65 m (8'8")	2.50 m (8'2")	2.65 m (8'8")	3.20 m (10'6")	2.50 m (8'2")	2.65 m (8'8")	3.20 m (10'6")	2.65 m (8'8")
G324	✓*		✓	✓		✓	✓	✓
G324 WH-1500	✓*		✓	✓*		✓	✓	✓
G324 WH-1800			✓*			✓	✓	✓
G324 WH-2000						✓	✓*	✓*
G332		✓*	✓		✓	✓	✓	✓
G345					✓*			

CW-45 Dedicated Coupler, continued

Undercarriage	LN
Counterweight	6.7 mt
Boom Type	Reach
Stick Length	3.20 m (10'6")
G324	✓
G324 WH-1500	✓
G324 WH-1800	
G324 WH-2000	
G332	✓*
G345	

(continued on next page)

Demolition & Sorting Grapples for Tracked Excavators

Matching – Tracked Excavator (continued)

Match * Working range front only No Match

330 GC, continued S70 Dedicated Coupler

Undercarriage	L		LN	
Counterweight	6.7 mt		6.7 mt	
Boom Type	Reach		Reach	
Stick Length	2.65 m (8'8")	3.20 m (10'6")	2.65 m (8'8")	3.20 m (10'6")
G324	✓	✓	✓	✓
G324 WH-1500	✓	✓	✓	✓
G324 WH-1800	✓	✓	✓	✓
G324 WH-2000	✓	✓	✓	✓*
G332	✓	✓	✓	✓

S80 Dedicated Coupler

Undercarriage	L		LN	
Counterweight	6.7 mt		6.7 mt	
Boom Type	Reach		Reach	
Stick Length	2.65 m (8'8")	3.20 m (10'6")	2.65 m (8'8")	3.20 m (10'6")
G324	✓	✓	✓	✓
G324 WH-1500	✓	✓	✓	✓
G324 WH-1800	✓	✓	✓	✓*
G324 WH-2000	✓	✓*	✓*	
G332	✓	✓	✓	✓*

330

Pin-on

Undercarriage	L						LN	
Counterweight	6.7 mt						6.7 mt	
Boom Type	Reach			Reach HD		ME	Reach	
Stick Length	2.65 m (8'8")	3.20 m (10'6")	3.75 m (12'4")	2.65 m HD (8'8")	3.20 m HD (10'6")	2.50 m (8'2")	2.65 m (8'8")	3.20 m (10'6")
G324	✓	✓	✓	✓	✓		✓	✓
G324 WH-1500	✓	✓	✓	✓	✓		✓	✓
G324 WH-1800	✓	✓	✓	✓	✓		✓	✓
G324 WH-2000	✓	✓	✓	✓	✓		✓	✓
G332	✓	✓	✓	✓	✓	✓	✓	✓
G345						✓		

Pin Grabber Coupler

Undercarriage	L						LN	
Counterweight	6.7 mt						6.7 mt	
Boom Type	Reach			Reach HD		ME	Reach	
Stick Length	2.65 m (8'8")	3.20 m (10'6")	3.75 m (12'4")	2.65 m HD (8'8")	3.20 m HD (10'6")	2.50 m (8'2")	2.65 m (8'8")	3.20 m (10'6")
G324	✓	✓	✓	✓	✓		✓	✓
G324 WH-1500	✓	✓	✓	✓	✓		✓	✓
G324 WH-1800	✓	✓		✓	✓*		✓	✓*
G324 WH-2000	✓			✓			✓*	
G332	✓	✓		✓	✓*	✓	✓	✓*
G345						✓		

(continued on next page)

Demolition & Sorting Grapples for Tracked Excavators

Matching – Tracked Excavator (continued)

Match
 * Working range front only
 No Match

330, continued

CW-45s Dedicated Coupler

Undercarriage	L					LN	
Counterweight	6.7 mt					6.7 mt	
Boom Type	Reach		Reach HD		ME	Reach	
Stick Length	2.65 m (8'8")	3.20 m (10'6")	2.65 m HD (8'8")	3.20 m HD (10'6")	2.50 m (8'2")	2.65 m (8'8")	3.20 m (10'6")
G324	✓	✓	✓	✓		✓	✓
G324 WH-1500	✓	✓	✓	✓		✓	✓
G324 WH-1800	✓	✓	✓	✓		✓	✓*
G324 WH-2000	✓	✓*	✓	✓*		✓*	
G332	✓	✓	✓	✓	✓	✓	✓*
G345					✓		

CW-45 Dedicated Coupler

Undercarriage	L					LN	
Counterweight	6.7 mt					6.7 mt	
Boom Type	Reach		Reach HD		ME	Reach	
Stick Length	2.65 m (8'8")	3.20 m (10'6")	2.65 m HD (8'8")	3.20 m HD (10'6")	2.50 m (8'2")	2.65 m (8'8")	3.20 m (10'6")
G324	✓	✓	✓	✓		✓	✓
G324 WH-1500	✓	✓	✓	✓		✓	✓
G324 WH-1800	✓	✓	✓	✓*		✓	✓*
G324 WH-2000	✓	✓*	✓			✓*	
G332	✓	✓	✓	✓*	✓	✓	✓*
G345					✓		

S70 Dedicated Coupler

Undercarriage	L		LN	
Counterweight	6.7 mt		6.7 mt	
Boom Type	Reach		Reach	
Stick Length	2.65 m (8'8")	3.20 m (10'6")	2.65 m (8'8")	3.20 m (10'6")
G324	✓	✓	✓	✓
G324 WH-1500	✓	✓	✓	✓
G324 WH-1800	✓	✓	✓	✓
G324 WH-2000	✓	✓	✓	✓*
G332	✓	✓	✓	✓

S80 Dedicated Coupler

Undercarriage	L		LN	
Counterweight	6.7 mt		6.7 mt	
Boom Type	Reach		Reach	
Stick Length	2.65 m (8'8")	3.20 m (10'6")	2.65 m (8'8")	3.20 m (10'6")
G324	✓	✓	✓	✓
G324 WH-1500	✓	✓	✓	✓
G324 WH-1800	✓	✓	✓	✓*
G324 WH-2000	✓	✓*	✓*	
G332	✓	✓	✓	✓*

(continued on next page)

Demolition & Sorting Grapples for Tracked Excavators

Matching – Tracked Excavator (continued)

Match * Working range front only No Match

333

Pin-on

Undercarriage	L				
Counterweight	7.7 mt				
Boom Type	Reach		Reach HD		ME
Stick Length	2.80 m (9'2")	3.20 m (10'6")	2.80 m HD (9'2")	3.20 m HD (10'6")	2.50 m (8'2")
G332	✓	✓	✓	✓	✓
G345	✓	✓	✓	✓	✓

Cat Pin Grabber Coupler

Undercarriage	L				
Counterweight	7.7 mt				
Boom Type	Reach		Reach HD		ME
Stick Length	2.80 m (9'2")	3.20 m (10'6")	2.80 m HD (9'2")	3.20 m HD (10'6")	2.50 m (8'2")
G332	✓	✓	✓	✓	✓
G345	✓	✓*	✓	✓*	✓

CW-45s Dedicated Coupler

Undercarriage	L				
Counterweight	7.7 mt				
Boom Type	Reach		Reach HD		ME
Stick Length	2.80 m (9'2")	3.20 m (10'6")	2.80 m HD (9'2")	3.20 m HD (10'6")	2.50 m (8'2")
G332	✓	✓	✓	✓	✓
G345	✓	✓	✓	✓	✓

CW-45 Dedicated Coupler

Undercarriage	L				
Counterweight	7.7 mt				
Boom Type	Reach		Reach HD		ME
Stick Length	2.80 m (9'2")	3.20 m (10'6")	2.80 m HD (9'2")	3.20 m HD (10'6")	2.50 m (8'2")
G332	✓	✓	✓	✓	✓
G345	✓	✓	✓	✓	✓

(continued on next page)

Demolition & Sorting Grapples for Tracked Excavators

Matching – Tracked Excavator *(continued)*

Match
 * Working range front only
 No Match

335F CR

Pin-on

Undercarriage	L		
Counterweight	-		
Boom Type	Reach HD		
Stick Length	2.65 m HD (8'8")	3.20 m HD (10'6")	3.75 m HD (12'4")
G324	✓	✓	✓
G324 WH-1500	✓	✓	✓
G324 WH-1800	✓	✓	✓
G324 WH-2000	✓	✓	✓*
G332	✓	✓	✓

Pin Grabber Coupler

Undercarriage	L		
Counterweight	-		
Boom Type	Reach HD		
Stick Length	2.65 m HD (8'8")	3.20 m HD (10'6")	3.75 m HD (12'4")
G324	✓	✓	✓*
G324 WH-1500	✓	✓	✓*
G324 WH-1800	✓	✓*	
G324 WH-2000	✓*		
G332	✓	✓*	

CW-45s Dedicated Coupler

Undercarriage	L	
Counterweight	-	
Boom Type	Reach HD	
Stick Length	2.65 m HD (8'8")	3.20 m HD (10'6")
G324	✓	✓
G324 WH-1500	✓	✓
G324 WH-1800	✓	✓*
G324 WH-2000	✓	
G332	✓	✓*

CW-45 Dedicated Coupler

Undercarriage	L	
Counterweight	-	
Boom Type	Reach HD	
Stick Length	2.65 m HD (8'8")	3.20 m HD (10'6")
G324	✓	✓
G324 WH-1500	✓	✓
G324 WH-1800	✓	✓*
G324 WH-2000	✓*	
G332	✓	

(continued on next page)

Demolition & Sorting Grapples for Tracked Excavators

Matching – Tracked Excavator (continued)

Match * Working range front only No Match

335F CR, continued

S70 Dedicated Coupler

Undercarriage	L	
Counterweight	-	
Boom Type	Reach HD	
Stick Length	2.65 m HD (8'8")	3.20 m HD (10'6")
G324	✓	✓
G324 WH-1500	✓	✓
G324 WH-1800	✓	✓
G324 WH-2000	✓	✓*
G332	✓	✓

S80 Dedicated Coupler

Undercarriage	L	
Counterweight	-	
Boom Type	Reach HD	
Stick Length	2.65 m HD (8'8")	3.20 m HD (10'6")
G324	✓	✓
G324 WH-1500	✓	✓
G324 WH-1800	✓	✓*
G324 WH-2000	✓	
G332	✓	✓*

336D2 GC

Pin-on

Undercarriage	-
Counterweight	-
Boom Type	Reach
Stick Length	2.80 m (9'2")
G332	✓
G345	✓*

Pin Grabber Coupler

Undercarriage	-
Counterweight	-
Boom Type	Reach
Stick Length	2.80 m (9'2")
G332	✓*

CW-45s Dedicated Coupler

Undercarriage	-
Counterweight	-
Boom Type	Reach
Stick Length	2.80 m (9'2")
G332	✓

(continued on next page)

Demolition & Sorting Grapples for Tracked Excavators

Matching – Tracked Excavator (continued)

Match * Working range front only No Match

336D2 GC, continued

CW-45 Dedicated Coupler

Undercarriage	-
Counterweight	-
Boom Type	Reach
Stick Length	2.80 m (9'2")
G332	✓*

336D2

Pin-on

Undercarriage	L					
Counterweight	-					
Boom Type	Reach HD				ME	
Stick Length	2.80 m HD (9'2")	3.20 m (10'6")	3.20 m HD (10'6")	3.90 m HD (12'10")	2.15 m (7'1")	2.55 m (8'4")
G332	✓	✓	✓	✓		
G345	✓	✓	✓		✓	✓

Pin Grabber Coupler

Undercarriage	L			
Counterweight	-			
Boom Type	Reach HD			ME
Stick Length	2.80 m HD (9'2")	3.20 m (10'6")	3.20 m HD (10'6")	2.15 m (7'1")
G332	✓	✓	✓*	
G345				✓*

CW-45s Dedicated Coupler

Undercarriage	L			
Counterweight	-			
Boom Type	Reach HD		ME	
Stick Length	3.20 m HD (10'6")	3.90 m HD (12'10")	2.15 m (7'1")	2.55 m (8'4")
G332	✓	✓*		
G345			✓	✓

CW-45 Dedicated Coupler

Undercarriage	L			
Counterweight	-			
Boom Type	Reach HD		ME	
Stick Length	3.20 m (10'6")	3.90 m HD (12'10")	2.15 m (7'1")	2.55 m (8'4")
G332	✓	✓		
G345			✓	✓*

336D2 XE

Pin-on

Undercarriage	L		
Counterweight	-		
Boom Type	Reach HD	ME	
Stick Length	3.20 m (10'6")	2.15 m (7'1")	2.55 m (8'4")
G332	✓		
G345	✓	✓	✓

(continued on next page)

Demolition & Sorting Grapples for Tracked Excavators

Matching – Tracked Excavator (continued)

Match * Working range front only No Match

336D2 XE, continued

Pin Grabber Coupler

Undercarriage	L	
Counterweight	-	
Boom Type	Reach HD	ME
Stick Length	3.20 m (10'6")	2.15 m (7'1")
G332	✓	
G345		✓*

CW-45 Dedicated Coupler

Undercarriage	L		
Counterweight	-		
Boom Type	Reach HD	ME	
Stick Length	3.20 m (10'6")	2.15 m (7'1")	2.55 m (8'4")
G332	✓		
G345		✓	✓

336E

Pin-on

Undercarriage	L						
Counterweight	6.0 mt					7.0 mt	
Boom Type	Reach ES	Reach HD			ME		Reach ES
Stick Length	3.20 m ES (10'6")	2.80 m HD (9'2")	3.20 m HD (10'6")	3.90 m HD (12'10")	2.15 m (7'1")	2.55 m (8'4")	3.20 m ES (10'6")
G332	✓	✓	✓	✓			✓
G345	✓	✓	✓	✓*	✓	✓	✓

Pin-on, continued

Undercarriage	L						LN	
Counterweight	7.0 mt						6.0 mt	
Boom Type	Reach ES	Reach HD			ME		Reach ES	Reach HD
Stick Length	3.90 m ES (12'10")	2.80 m HD (9'2")	3.20 m HD (10'6")	3.90 m HD (12'10")	2.15 m (7'1")	2.55 m (8'4")	3.20 m ES (10'6")	2.80 m HD (9'2")
G332	✓	✓	✓	✓			✓	✓
G345		✓	✓	✓	✓	✓	✓*	✓

Pin-on, continued

Undercarriage	LN		
Counterweight	6.0 mt		
Boom Type	Reach HD	ME	
Stick Length	3.20 m HD (10'6")	2.15 m (7'1")	2.55 m (8'4")
G332	✓		
G345	✓	✓	✓

Pin Grabber Coupler

Undercarriage	L						
Counterweight	6.0 mt					7.0 mt	
Boom Type	Reach ES	Reach HD			ME		Reach ES
Stick Length	3.20 m ES (10'6")	2.80 m HD (9'2")	3.20 m HD (10'6")	3.90 m HD (12'10")	2.15 m (7'1")	2.55 m (8'4")	3.20 m ES (10'6")
G332	✓	✓	✓	✓*			✓
G345		✓*	✓*		✓	✓*	✓

(continued on next page)

Demolition & Sorting Grapples for Tracked Excavators

Matching – Tracked Excavator (continued)

Match * Working range front only No Match

336E, continued

Pin Grabber Coupler, continued

Undercarriage	L						LN	
Counterweight	7.0 mt						6.0 mt	
Boom Type	Reach ES	Reach HD			ME		Reach HD	
Stick Length	3.90 m ES (12'10")	2.80 m HD (9'2")	3.20 m HD (10'6")	3.90 m HD (12'10")	2.15 m (7'1")	2.55 m (8'4")	2.80 m HD (9'2")	3.20 m HD (10'6")
G332	✓	✓	✓	✓			✓	✓*
G345		✓	✓	✓*	✓	✓		

CW-45s Dedicated Coupler

Undercarriage	L					LN		
Counterweight	6.0 mt					6.0 mt		
Boom Type	Reach ES	Reach HD		ME		Reach ES	Reach HD	
Stick Length	3.20 m ES (10'6")	2.80 m HD (9'2")	3.20 m HD (10'6")	2.15 m (7'1")	2.55 m (8'4")	3.20 m ES (10'6")	2.80 m HD (9'2")	3.20 m HD (10'6")
G332	✓	✓	✓			✓*	✓	✓
G345	✓*	✓	✓*	✓	✓			

CW-45s Dedicated Coupler, continued

Undercarriage	LN	
Counterweight	6.0 mt	
Boom Type	ME	
Stick Length	2.15 m (7'1")	2.55 m (8'4")
G332		
G345	✓	✓*

CW-45 Dedicated Coupler

Undercarriage	L					LN		
Counterweight	6.0 mt					6.0 mt		
Boom Type	Reach ES	Reach HD		ME		Reach ES	Reach HD	
Stick Length	3.20 m ES (10'6")	2.80 m HD (9'2")	3.20 m HD (10'6")	2.15 m (7'1")	2.55 m (8'4")	3.20 m ES (10'6")	2.80 m HD (9'2")	3.20 m HD (10'6")
G332	✓	✓	✓			✓*	✓	✓
G345	✓*	✓	✓*	✓	✓			

CW-45 Dedicated Coupler, continued

Undercarriage	LN	
Counterweight	6.0 mt	
Boom Type	ME	
Stick Length	2.15 m (7'1")	2.55 m (8'4")
G332		
G345	✓	✓*

336E H

Pin-on

Undercarriage	L		LN
Counterweight	-		-
Boom Type	Reach HD		Reach HD
Stick Length	3.20 m HD (10'6")	3.90 m HD (12'10")	3.20 m HD (10'6")
G345	✓	✓	✓

(continued on next page)

Demolition & Sorting Grapples for Tracked Excavators

Matching – Tracked Excavator (continued)

Match * Working range front only No Match

336E H, continued

Pin Grabber Coupler

Undercarriage	L
Counterweight	-
Boom Type	Reach HD
Stick Length	3.20 m HD (10'6")
G345	✓*

CW-45s Dedicated Coupler

Undercarriage	L
Counterweight	-
Boom Type	Reach HD
Stick Length	3.20 m HD (10'6")
G345	✓*

CW-45 Dedicated Coupler

Undercarriage	L
Counterweight	-
Boom Type	Reach HD
Stick Length	3.20 m HD (10'6")
G345	✓*

336F

Pin-on

Undercarriage	L							
Counterweight	6.0 mt				7.0 mt			
Boom Type	Reach HD			ME	Reach ES		Reach HD	
Stick Length	2.80 m HD (9'2")	3.20 m HD (10'6")	3.90 m HD (12'10")	2.55 m (8'4")	3.20 m ES (10'6")	3.90 m ES (12'10")	2.80 m HD (9'2")	3.20 m HD (10'6")
G332	✓	✓	✓		✓	✓	✓	✓
G345	✓	✓	✓*	✓	✓	✓	✓	✓

Pin-on, continued

Undercarriage	L				LN			
Counterweight	7.0 mt		8.45 mt		7.0 mt			
Boom Type	Reach HD	ME	Straight		Reach HD			ME
Stick Length	3.90 m HD (12'10")	2.55 m (8'4")	3.20 m HD (10'6")	3.90 m HD (12'10")	2.80 m HD (9'2")	3.20 m HD (10'6")	3.90 m HD (12'10")	2.55 m (8'4")
G332	✓		✓	✓	✓	✓	✓	
G345	✓	✓	✓	✓	✓	✓	✓	✓

Pin-on, continued

Undercarriage	LN	
Counterweight	8.45 mt	
Boom Type	Straight	
Stick Length	3.20 m HD (10'6")	3.90 m HD (12'10")
G332	✓	✓
G345	✓	✓

(continued on next page)

Demolition & Sorting Grapples for Tracked Excavators

Matching – Tracked Excavator (continued)

Match * Working range front only No Match

336F, continued

Pin Grabber Coupler

Undercarriage	L							
Counterweight	6.0 mt				7.0 mt			
Boom Type	Reach HD			ME	Reach ES		Reach HD	
Stick Length	2.80 m HD (9'2")	3.20 m HD (10'6")	3.90 m HD (12'10")	2.55 m (8'4")	3.20 m ES (10'6")	3.90 m ES (12'10")	2.80 m HD (9'2")	3.20 m HD (10'6")
G332	✓	✓	✓*		✓	✓	✓	✓
G345	✓*	✓*		✓*	✓		✓	✓

Pin Grabber Coupler, continued

Undercarriage	L				LN			
Counterweight	7.0 mt		8.45 mt		7.0 mt			
Boom Type	Reach HD	ME	Straight		Reach HD			ME
Stick Length	3.90 m HD (12'10")	2.55 m (8'4")	3.20 m HD (10'6")	3.90 m HD (12'10")	2.80 m HD (9'2")	3.20 m HD (10'6")	3.90 m HD (12'10")	2.55 m (8'4")
G332	✓		✓	✓	✓	✓	✓*	
G345	✓*	✓			✓*	✓*		✓*

Pin Grabber Coupler, continued

Undercarriage	LN	
Counterweight	8.45 mt	
Boom Type	Straight	
Stick Length	3.20 m HD (10'6")	3.90 m HD (12'10")
G332	✓	✓
G345		

CW-45s Dedicated Coupler

Undercarriage	L						LN	
Counterweight	7.0 mt				8.45 mt		7.0 mt	
Boom Type	Reach HD			ME	Straight		Reach HD	
Stick Length	2.80 m HD (9'2")	3.20 m HD (10'6")	3.90 m HD (12'10")	2.55 m (8'4")	3.20 m HD (10'6")	3.90 m HD (12'10")	2.80 m HD (9'2")	3.20 m HD (10'6")
G332	✓	✓	✓		✓	✓	✓	✓
G345	✓	✓	✓*	✓	✓		✓	✓*

CW-45s Dedicated Coupler, continued

Undercarriage	LN			
Counterweight	7.0 mt		8.45 mt	
Boom Type	Reach HD	ME	Straight	
Stick Length	3.90 m HD (12'10")	2.55 m (8'4")	3.20 m HD (10'6")	3.90 m HD (12'10")
G332	✓		✓	✓
G345		✓	✓	

CW-45 Dedicated Coupler

Undercarriage	L						LN	
Counterweight	7.0 mt				8.45 mt		7.0 mt	
Boom Type	Reach HD			ME	Straight		Reach HD	
Stick Length	2.80 m HD (9'2")	3.20 m HD (10'6")	3.90 m HD (12'10")	2.55 m (8'4")	3.20 m HD (10'6")	3.90 m HD (12'10")	2.80 m HD (9'2")	3.20 m HD (10'6")
G332	✓	✓	✓		✓	✓	✓	✓
G345	✓	✓	✓*	✓			✓	✓*

(continued on next page)

Demolition & Sorting Grapples for Tracked Excavators

Matching – Tracked Excavator (continued)

Match * Working range front only No Match

336F, continued

CW-45 Dedicated Coupler

Undercarriage	LN			
Counterweight	7.0 mt		8.45 mt	
Boom Type	Reach HD	ME	Straight	
Stick Length	3.90 m HD (12'10")	2.55 m (8'4")	3.20 m HD (10'6")	3.90 m HD (12'10")
G332	✓		✓	✓
G345		✓		

S80 Dedicated Coupler

Undercarriage	L					LN		
Counterweight	7.0 mt			8.45 mt		7.0 mt		
Boom Type	Reach HD			Straight		Reach HD		
Stick Length	2.80 m HD (9'2")	3.20 m HD (10'6")	3.90 m HD (12'10")	3.20 m HD (10'6")	3.90 m HD (12'10")	2.80 m HD (9'2")	3.20 m HD (10'6")	3.90 m HD (12'10")
G332	✓	✓	✓	✓	✓	✓	✓	✓
G345	✓	✓	✓*			✓	✓*	

S80 Dedicated Coupler, continued

Undercarriage	LN	
Counterweight	8.45 mt	
Boom Type	Straight	
Stick Length	3.20 m HD (10'6")	3.90 m HD (12'10")
G332	✓	✓
G345		

336F XE

Pin-on

Undercarriage	L							
Counterweight	5.05 mt				6.05 mt			
Boom Type	Reach HD				Reach ES		Reach HD	
Stick Length	2.55 m (8'4")	2.80 m HD (9'2")	3.20 m HD (10'6")	3.90 m HD (12'10")	3.20 m ES (10'6")	3.90 m ES (12'10")	2.80 m HD (9'2")	3.20 m HD (10'6")
G332		✓	✓	✓	✓	✓	✓	✓
G345	✓	✓	✓	✓*	✓	✓	✓	✓

Pin-on, continued

Undercarriage	L			LN			
Counterweight	6.05 mt			6.05 mt			
Boom Type	Reach HD	ME	Reach HD			ME	
Stick Length	3.90 m HD (12'10")	2.55 m (8'4")	2.80 m HD (9'2")	3.20 m HD (10'6")	3.90 m HD (12'10")	2.55 m (8'4")	
G332	✓		✓	✓	✓		
G345	✓	✓	✓	✓	✓	✓	

Pin Grabber Coupler

Undercarriage	L							
Counterweight	5.05 mt				6.05 mt			
Boom Type	Reach HD				Reach ES		Reach HD	
Stick Length	2.55 m (8'4")	2.80 m HD (9'2")	3.20 m HD (10'6")	3.90 m HD (12'10")	3.20 m ES (10'6")	3.90 m ES (12'10")	2.80 m HD (9'2")	3.20 m HD (10'6")
G332		✓	✓	✓*	✓	✓	✓	✓
G345	✓*	✓*	✓*		✓		✓	✓

(continued on next page)

Demolition & Sorting Grapples for Tracked Excavators

Matching – Tracked Excavator (continued)

Match * Working range front only No Match

336F XE, continued

Pin Grabber Coupler, continued

Undercarriage	L			LN		
Counterweight	6.05 mt			6.05 mt		
Boom Type	Reach HD	ME	Reach HD			ME
Stick Length	3.90 m HD (12'10")	2.55 m (8'4")	2.80 m HD (9'2")	3.20 m HD (10'6")	3.90 m HD (12'10")	2.55 m (8'4")
G332	✓		✓	✓	✓*	
G345	✓*	✓	✓*	✓*		✓*

CW-45s Dedicated Coupler

Undercarriage	L				LN			
Counterweight	6.05 mt				6.05 mt			
Boom Type	Reach HD			ME	Reach HD			ME
Stick Length	2.80 m HD (9'2")	3.20 m HD (10'6")	3.90 m HD (12'10")	2.55 m (8'4")	2.80 m HD (9'2")	3.20 m HD (10'6")	3.90 m HD (12'10")	2.55 m (8'4")
G332	✓	✓	✓		✓	✓	✓	
G345	✓	✓	✓*	✓	✓	✓*		✓

CW-45 Dedicated Coupler

Undercarriage	L				LN			
Counterweight	6.05 mt				6.05 mt			
Boom Type	Reach HD			ME	Reach HD			ME
Stick Length	2.80 m HD (9'2")	3.20 m HD (10'6")	3.90 m HD (12'10")	2.55 m (8'4")	2.80 m HD (9'2")	3.20 m HD (10'6")	3.90 m HD (12'10")	2.55 m (8'4")
G332	✓	✓	✓		✓	✓	✓	
G345	✓	✓	✓*	✓	✓	✓*		✓

S80 Dedicated Coupler

Undercarriage	L			LN		
Counterweight	6.05 mt			6.05 mt		
Boom Type	Reach HD			Reach HD		
Stick Length	2.80 m HD (9'2")	3.20 m HD (10'6")	3.90 m HD (12'10")	2.80 m HD (9'2")	3.20 m HD (10'6")	3.90 m HD (12'10")
G332	✓	✓	✓	✓	✓	✓
G345	✓	✓	✓*	✓	✓*	

336 GC

Pin-on

Undercarriage	-				L			
Counterweight	6.8 mt				6.8 mt			
Boom Type	Reach			ME	Reach			ME
Stick Length	2.80 m (9'2")	3.20 m (10'6")	3.90 m (12'10")	2.55 m (8'4")	2.80 m (9'2")	3.20 m (10'6")	3.90 m (12'10")	2.55 m (8'4")
G332	✓	✓	✓		✓	✓	✓	
G345	✓	✓	✓*	✓	✓	✓	✓	✓

Pin-on

Undercarriage	LN	
Counterweight	6.8 mt	
Boom Type	Reach	
Stick Length	2.80 m (9'2")	3.20 m (10'6")
G332	✓	✓
G345	✓	✓

(continued on next page)

Demolition & Sorting Grapples for Tracked Excavators

Matching – Tracked Excavator (continued)

Match * Working range front only No Match

336 GC, continued Pin Grabber Coupler

Undercarriage	-		L		LN	
Counterweight	6.8 mt		6.8 mt		6.8 mt	
Boom Type	Reach		Reach		Reach	
Stick Length	2.80 m (9'2")	3.20 m (10'6")	2.80 m (9'2")	3.20 m (10'6")	2.80 m (9'2")	3.20 m (10'6")
G332	✓	✓	✓	✓	✓	✓*
G345	✓*		✓*	✓*		

CW-45s Dedicated Coupler

Undercarriage	-			L			LN	
Counterweight	6.8 mt			6.8 mt			6.8 mt	
Boom Type	Reach		ME	Reach		ME	Reach	
Stick Length	2.80 m (9'2")	3.20 m (10'6")	2.55 m (8'4")	2.80 m (9'2")	3.20 m (10'6")	2.55 m (8'4")	2.80 m (9'2")	3.20 m (10'6")
G332	✓	✓		✓	✓		✓	✓
G345	✓	✓*	✓	✓	✓*	✓	✓*	

CW-45 Dedicated Coupler

Undercarriage	-			L			LN	
Counterweight	6.8 mt			6.8 mt			6.8 mt	
Boom Type	Reach		ME	Reach		ME	Reach	
Stick Length	2.80 m (9'2")	3.20 m (10'6")	2.55 m (8'4")	2.80 m (9'2")	3.20 m (10'6")	2.55 m (8'4")	2.80 m (9'2")	3.20 m (10'6")
G332	✓	✓		✓	✓		✓	✓
G345	✓*	✓*	✓*	✓	✓*	✓		

S80 Dedicated Coupler

Undercarriage	-		L		LN	
Counterweight	6.8 mt		6.8 mt		6.8 mt	
Boom Type	Reach		Reach		Reach	
Stick Length	2.80 m (9'2")	3.20 m (10'6")	2.80 m (9'2")	3.20 m (10'6")	2.80 m (9'2")	3.20 m (10'6")
G332	✓	✓	✓	✓	✓	✓
G345	✓	✓*	✓	✓*	✓*	

336 Pin-on

Undercarriage	L							
Counterweight	6.8 mt						7.5 mt	
Boom Type	Reach			Reach HD		ME	Reach	
Stick Length	2.80 m (9'2")	3.20 m (10'6")	3.90 m (12'10")	2.80 m HD (9'2")	3.20 m HD (10'6")	2.55 m (8'4")	2.80 m (9'2")	3.20 m (10'6")
G332	✓	✓	✓	✓	✓		✓	✓
G345	✓	✓	✓	✓	✓	✓	✓	✓

Pin-on, continued

Undercarriage	L				LN			
Counterweight	7.5 mt				7.5 mt			
Boom Type	Reach	Reach HD		ME	Reach		Reach HD	
Stick Length	3.90 m (12'10")	3.20 m HD (10'6")	3.90 m HD (12'10")	2.55 m (8'4")	2.80 m (9'2")	3.20 m (10'6")	3.90 m (12'10")	3.20 m HD (10'6")
G332	✓	✓	✓		✓	✓	✓	✓
G345	✓	✓	✓	✓	✓	✓	✓	✓

(continued on next page)

Demolition & Sorting Grapples for Tracked Excavators

Matching – Tracked Excavator (continued)

Match * Working range front only No Match

336, continued

Pin-on, continued

Undercarriage	LN	
Counterweight	7.5 mt	
Boom Type	Reach HD	ME
Stick Length	3.90 m HD (12'10")	2.55 m (8'4")
G332	✓	
G345	✓*	✓

Pin Grabber Coupler

Undercarriage	L							
Counterweight	6.8 mt						7.5 mt	
Boom Type	Reach			Reach HD		ME	Reach	
Stick Length	2.80 m (9'2")	3.20 m (10'6")	3.90 m (12'10")	2.80 m HD (9'2")	3.20 m HD (10'6")	2.55 m (8'4")	2.80 m (9'2")	3.20 m (10'6")
G332	✓	✓	✓	✓	✓		✓	✓
G345	✓	✓*		✓*	✓*	✓*	✓	✓

Pin Grabber Coupler, continued

Undercarriage	L				LN			
Counterweight	7.5 mt				7.5 mt			
Boom Type	Reach	Reach HD		ME	Reach			Reach HD
Stick Length	3.90 m (12'10")	3.20 m HD (10'6")	3.90 m HD (12'10")	2.55 m (8'4")	2.80 m (9'2")	3.20 m (10'6")	3.90 m (12'10")	3.20 m HD (10'6")
G332	✓	✓	✓		✓	✓	✓*	✓
G345	✓*	✓		✓	✓	✓*		

Pin Grabber Coupler, continued

Undercarriage	LN
Counterweight	7.5 mt
Boom Type	Reach HD
Stick Length	3.90 m HD (12'10")
G332	✓*
G345	

CW-45s Dedicated Coupler

Undercarriage	L							LN
Counterweight	6.8 mt			7.5 mt				7.5 mt
Boom Type	Reach HD	ME	Reach			Reach HD	ME	Reach
Stick Length	3.20 m HD (10'6")	2.55 m (8'4")	2.80 m (9'2")	3.20 m (10'6")	3.90 m (12'10")	3.20 m HD (10'6")	2.55 m (8'4")	2.80 m (9'2")
G332	✓		✓	✓	✓	✓		✓
G345	✓*	✓	✓	✓	✓*	✓	✓	✓

CW-45s Dedicated Coupler, continued

Undercarriage	LN				
Counterweight	7.5 mt				
Boom Type	Reach		Reach HD		ME
Stick Length	3.20 m (10'6")	3.90 m (12'10")	3.20 m HD (10'6")	3.90 m HD (12'10")	2.55 m (8'4")
G332	✓	✓	✓	✓*	
G345	✓*		✓*		✓

(continued on next page)

Demolition & Sorting Grapples for Tracked Excavators

Matching – Tracked Excavator (continued)

Match * Working range front only No Match

336, continued

CW-45 Dedicated Coupler

Undercarriage	-			L			LN	
Counterweight	6.8 mt			6.8 mt			6.8 mt	
Boom Type	Reach		ME	Reach		ME	Reach	
Stick Length	2.80 m (9'2")	3.20 m (10'6")	2.55 m (8'4")	2.80 m (9'2")	3.20 m (10'6")	2.55 m (8'4")	2.80 m (9'2")	3.20 m (10'6")
G332	✓	✓		✓	✓		✓	✓
G345	✓*	✓*	✓*	✓	✓*	✓		

S80 Dedicated Coupler

Undercarriage	L				LN			
Counterweight	7.5 mt				7.5 mt			
Boom Type	Reach			Reach HD	Reach			Reach HD
Stick Length	2.80 m (9'2")	3.20 m (10'6")	3.90 m (12'10")	3.20 m HD (10'6")	2.80 m (9'2")	3.20 m (10'6")	3.90 m (12'10")	3.20 m HD (10'6")
G332	✓	✓	✓	✓	✓	✓	✓	✓
G345	✓	✓	✓*	✓	✓	✓*		✓*

S80 Dedicated Coupler

Undercarriage	LN
Counterweight	7.5 mt
Boom Type	Reach HD
Stick Length	3.90 m HD (12'10")
G332	✓*
G345	

340D2

Pin-on

Undercarriage	L					
Counterweight	-			8.5 mt		
Boom Type	Reach HD	ME		Reach HD	ME	
Stick Length	3.20 m HD (10'6")	2.15 m (7'1")	2.55 m (8'4")	3.20 m HD (10'6")	2.15 m (7'1")	2.55 m (8'4")
G345	✓	✓	✓	✓	✓	✓

Pin Grabber Coupler

Undercarriage	L					
Counterweight	-			8.5 mt		
Boom Type	Reach HD	ME		Reach HD	ME	
Stick Length	3.20 m HD (10'6")	2.15 m (7'1")	2.55 m (8'4")	3.20 m HD (10'6")	2.15 m (7'1")	2.55 m (8'4")
G345	✓	✓	✓	✓	✓	✓

CW-45s Dedicated Coupler

Undercarriage	L					
Counterweight	-			8.5 mt		
Boom Type	Reach HD	ME		Reach HD	ME	
Stick Length	3.20 m HD (10'6")	2.15 m (7'1")	2.55 m (8'4")	3.20 m HD (10'6")	2.15 m (7'1")	2.55 m (8'4")
G345	✓	✓	✓	✓	✓	✓

(continued on next page)

Demolition & Sorting Grapples for Tracked Excavators

Matching – Tracked Excavator (continued)

Match * Working range front only No Match

340D2, continued

CW-45 Dedicated Coupler

Undercarriage	L					
Counterweight	-			8.5 mt		
Boom Type	Reach HD	ME		Reach HD	ME	
Stick Length	3.20 m HD (10'6")	2.15 m (7'1")	2.55 m (8'4")	3.20 m HD (10'6")	2.15 m (7'1")	2.55 m (8'4")
G345	✓	✓	✓	✓	✓	✓

340F

Pin-on

Undercarriage	L		
Counterweight	7.0 mt		
Boom Type	Reach HD		ME
Stick Length	2.80 m HD (9'2")	3.20 m HD (10'6")	2.55 m (8'4")
G332	✓	✓	
G345	✓	✓	✓

Pin Grabber Coupler

Undercarriage	L		
Counterweight	7.0 mt		
Boom Type	Reach HD		ME
Stick Length	2.80 m HD (9'2")	3.20 m HD (10'6")	2.55 m (8'4")
G332	✓	✓	
G345	✓	✓	✓

CW-45s Dedicated Coupler

Undercarriage	L		
Counterweight	7.0 mt		
Boom Type	Reach HD		ME
Stick Length	2.80 m HD (9'2")	3.20 HD (10'6")	2.55 m (8'4")
G332	✓	✓	
G345	✓	✓	✓

CW-45 Dedicated Coupler

Undercarriage	L		
Counterweight	7.0 mt		
Boom Type	Reach HD		ME
Stick Length	2.80 m HD (9'2")	3.20 m HD (10'6")	2.55 m (8'4")
G332	✓	✓	
G345	✓	✓	✓

S80 Dedicated Coupler

Undercarriage	L	
Counterweight	7.0 mt	
Boom Type	Reach HD	
Stick Length	2.80 m HD (9'2")	3.20 m HD (10'6")
G332	✓	✓
G345	✓	✓

(continued on next page)

Demolition & Sorting Grapples for Tracked Excavators

Matching – Tracked Excavator (continued)

Match * Working range front only No Match

340F UHD

Pin-on

Undercarriage	L-FIX						L-VG	
Counterweight	8.45 mt						8.45 mt	
Boom Type	Retrofit (B)			Retrofit (S)			Retrofit (B)	
Stick Length	2.80 m HD (9'2")	3.20 m HD (10'6")	3.90 m HD (12'10")	2.80 m HD (9'2")	3.20 m HD (10'6")	3.90 m HD (12'10")	2.80 m HD (9'2")	3.20 m HD (10'6")
G332	✓	✓	✓	✓	✓	✓	✓	✓
G345	✓	✓	✓	✓	✓		✓	✓

Pin-on, continued

Undercarriage	L-VG			
Counterweight	8.45 mt			
Boom Type	Retrofit (B)	Retrofit (S)		
Stick Length	3.90 m HD (12'10")	2.80 m HD (9'2")	3.20 m HD (10'6")	3.90 m HD (12'10")
G332	✓	✓	✓	✓
G345	✓	✓	✓	✓

Pin Grabber Coupler

Undercarriage	L-FIX					L-VG		
Counterweight	8.45 mt					8.45 mt		
Boom Type	Retrofit (B)			Retrofit (S)		Retrofit (B)		
Stick Length	2.80 m HD (9'2")	3.20 m HD (10'6")	3.90 m HD (12'10")	2.80 m HD (9'2")	3.20 m HD (10'6")	2.80 m HD (9'2")	3.20 m HD (10'6")	3.90 m HD (12'10")
G332	✓	✓	✓	✓	✓	✓	✓	✓
G345	✓	✓				✓	✓	

Pin Grabber Coupler, continued

Undercarriage	L-VG		
Counterweight	8.45 mt		
Boom Type	Retrofit (S)		
Stick Length	2.80 m HD (9'2")	3.20 m HD (10'6")	3.90 m HD (12'10")
G332	✓	✓	✓
G345			

CW-45s Dedicated Coupler

Undercarriage	L-FIX						L-VG	
Counterweight	8.45 mt						8.45 mt	
Boom Type	Retrofit (B)			Retrofit (S)			Retrofit (B)	
Stick Length	2.80 m HD (9'2")	3.20 m HD (10'6")	3.90 m HD (12'10")	2.80 m HD (9'2")	3.20 m HD (10'6")	3.90 m HD (12'10")	2.80 m HD (9'2")	3.20 m HD (10'6")
G332	✓	✓	✓	✓	✓	✓*	✓	✓
G345	✓	✓	✓	✓*			✓	✓

CW-45s Dedicated Coupler, continued

Undercarriage	L-VG			
Counterweight	8.45 mt			
Boom Type	Retrofit (B)	Retrofit (S)		
Stick Length	3.90 m HD (12'10")	2.80 m HD (9'2")	3.20 m HD (10'6")	3.90 m HD (12'10")
G332	✓	✓	✓	✓
G345	✓	✓	✓	✓

(continued on next page)

Demolition & Sorting Grapples for Tracked Excavators

Matching – Tracked Excavator (continued)

Match
 * Working range front only
 No Match

340F UHD, continued

CW-45 Dedicated Coupler

Undercarriage	L-FIX					L-VG		
Counterweight	8.45 mt					8.45 mt		
Boom Type	Retrofit (B)			Retrofit (S)		Retrofit (B)		
Stick Length	2.80 m HD (9'2")	3.20 m HD (10'6")	3.90 m HD (12'10")	2.80 m HD (9'2")	3.20 m HD (10'6")	2.80 m HD (9'2")	3.20 m HD (10'6")	3.90 m HD (12'10")
G332	✓	✓	✓	✓	✓	✓	✓	✓
G345	✓	✓	✓*			✓	✓	✓

CW-45 Dedicated Coupler, continued

Undercarriage	L-VG		
Counterweight	8.45 mt		
Boom Type	Retrofit (S)		
Stick Length	2.80 m HD (9'2")	3.20 m HD (10'6")	3.90 m HD (12'10")
G332	✓	✓	✓
G345			

S80 Dedicated Coupler

Undercarriage	L-FIX					L-VG		
Counterweight	8.45 mt					8.45 mt		
Boom Type	Retrofit (B)			Retrofit (S)		Retrofit (B)		
Stick Length	2.80 m HD (9'2")	3.20 m HD (10'6")	3.90 m HD (12'10")	2.80 m HD (9'2")	3.20 m HD (10'6")	3.90 m HD (12'10")	2.80 m HD (9'2")	3.20 m HD (10'6")
G332	✓	✓	✓	✓	✓	✓*	✓	✓
G345	✓	✓	✓				✓	✓

S80 Dedicated Coupler, continued

Undercarriage	L-VG			
Counterweight	8.45 mt			
Boom Type	Retrofit (B)	Retrofit (S)		
Stick Length	3.90 m HD (12'10")	2.80 m HD (9'2")	3.20 m HD (10'6")	3.90 m HD (12'10")
G332	✓	✓	✓	✓
G345	✓		✓	✓

340 LRE

Pin-on

Undercarriage	HD High Wide
Counterweight	10.4 mt
Boom Type	LRE
Stick Length	LRE
G318	✓
G318 WH	✓

(continued on next page)

Demolition & Sorting Grapples for Tracked Excavators

Matching – Tracked Excavator *(continued)*

Match * Working range front only No Match

340 LRE, *continued*

CW-40s Dedicated Coupler

Undercarriage	HD High Wide
Counterweight	10.4 mt
Boom Type	LRE
Stick Length	LRE
G318	✓*
G318 WH	✓

CW-40 Dedicated Coupler

Undercarriage	HD High Wide
Counterweight	10.4 mt
Boom Type	LRE
Stick Length	LRE
G318	✓*
G318-fixed CAN	✓*
G318 WH	✓*

340

Pin-on

Undercarriage	L		LN		HD High Wide			
Counterweight	9.0 mt		9.0 mt		7.5 mt			
Boom Type	Straight		Straight		Reach			ME
Stick Length	3.20 m (10'6")	3.90 m (12'10")	3.20 m (10'6")	3.90 m (12'10")	2.80 m (9'2")	3.20 m (10'6")	3.90 m (12'10")	2.55 m (8'4")
G332	✓	✓	✓	✓	✓	✓	✓	
G345	✓	✓	✓	✓	✓	✓	✓	✓

Pin Grabber Coupler

Undercarriage	L		LN		HD High Wide			
Counterweight	9.0 mt		9.0 mt		7.5 mt			
Boom Type	Straight		Straight		Reach			ME
Stick Length	3.20 m (10'6")	3.90 m (12'10")	3.20 m (10'6")	3.90 m (12'10")	2.80 m (9'2")	3.20 m (10'6")	3.90 m (12'10")	2.55 m (8'4")
G332	✓	✓	✓	✓	✓	✓	✓	
G345					✓	✓		✓

(continued on next page)

Demolition & Sorting Grapples for Tracked Excavators

Matching – Tracked Excavator (continued)

Match * Working range front only No Match

340, continued

CW-45s Dedicated Coupler

Undercarriage	L		LN		HD High Wide			
Counterweight	9.0 mt		9.0 mt		7.5 mt			
Boom Type	Straight		Straight		Reach			ME
Stick Length	3.20 m (10'6")	3.90 m (12'10")	3.20 m (10'6")	3.90 m (12'10")	2.80 m (9'2")	3.20 m (10'6")	3.90 m (12'10")	2.55 m (8'4")
G332	✓	✓	✓	✓	✓	✓	✓	
G345	✓		✓		✓	✓	✓	✓

CW-45 Dedicated Coupler

Undercarriage	L		LN		HD High Wide			
Counterweight	9.0 mt		9.0 mt		7.5 mt			
Boom Type	Straight		Straight		Reach			ME
Stick Length	3.20 m (10'6")	3.90 m (12'10")	3.20 m (10'6")	3.90 m (12'10")	2.80 m (9'2")	3.20 m (10'6")	3.90 m (12'10")	2.55 m (8'4")
G332	✓	✓	✓	✓	✓	✓	✓	
G345					✓	✓	✓	✓

S80 Dedicated Coupler

Undercarriage	L		LN		HD High Wide		
Counterweight	9.0 mt		9.0 mt		7.5 mt		
Boom Type	Straight		Straight		Reach		
Stick Length	3.20 m (10'6")	3.90 m (12'10")	3.20 m (10'6")	3.90 m (12'10")	2.80 m (9'2")	3.20 m (10'6")	3.90 m (12'10")
G332	✓	✓	✓	✓	✓	✓	✓
G345					✓	✓	✓

340 UHD

Pin-on

Undercarriage	L					
Counterweight	9.0 mt					
Boom Type	Retrofit (B)			Retrofit (S)		
Stick Length	2.80 m (9'2")	3.20 m (10'6")	3.90 m (12'10")	2.80 m (9'2")	3.20 m (10'6")	3.90 m (12'10")
G332	✓	✓	✓	✓	✓	✓
G345	✓	✓	✓	✓	✓	

Pin-on, continued

Undercarriage	H-VG					
Counterweight	9.0 mt					
Boom Type	Retrofit (B)			Retrofit (S)		
Stick Length	2.80 m (9'2")	3.20 m (10'6")	3.90 m (12'10")	2.80 m (9'2")	3.20 m (10'6")	3.90 m (12'10")
G332	✓	✓	✓	✓	✓	✓
G345	✓	✓	✓	✓	✓	✓

(continued on next page)

Demolition & Sorting Grapples for Tracked Excavators

Matching – Tracked Excavator (continued)

Match * Working range front only No Match

340 UHD, continued Pin Grabber Coupler

Undercarriage	L					H-VG		
Counterweight	9.0 mt					9.0 mt		
Boom Type	Retrofit (B)			Retrofit (S)		Retrofit (B)		
Stick Length	2.80 m (9'2")	3.20 m (10'6")	3.90 m (12'10")	2.80 m (9'2")	3.20 m (10'6")	2.80 m (9'2")	3.20 m (10'6")	3.90 m (12'10")
G332	✓	✓	✓	✓	✓*	✓	✓	✓
G345	✓	✓				✓	✓	

Pin Grabber Coupler, continued

Undercarriage	H-VG		
Counterweight	9.0 mt		
Boom Type	Retrofit (S)		
Stick Length	2.80 m (9'2")	3.20 m (10'6")	3.90 m (12'10")
G332	✓	✓	✓
G345			

CW-45s Dedicated Coupler

Undercarriage	L					H-VG		
Counterweight	9.0 mt					9.0 mt		
Boom Type	Retrofit (B)			Retrofit (S)		Retrofit (B)		
Stick Length	2.80 m (9'2")	3.20 m (10'6")	3.90 m (12'10")	2.80 m (9'2")	3.20 m (10'6")	3.90 m (12'10")	2.80 m (9'2")	3.20 m (10'6")
G332	✓	✓	✓	✓	✓	✓*	✓	✓
G345	✓	✓	✓*	✓*			✓	✓

CW-45s Dedicated Coupler, continued

Undercarriage	H-VG			
Counterweight	9.0 mt			
Boom Type	Retrofit (B)	Retrofit (S)		
Stick Length	3.90 m (12'10")	2.80 m (9'2")	3.20 m (10'6")	3.90 m (12'10")
G332	✓	✓	✓	✓
G345	✓	✓	✓	✓

CW-45 Dedicated Coupler

Undercarriage	L					H-VG		
Counterweight	9.0 mt					9.0 mt		
Boom Type	Retrofit (B)			Retrofit (S)		Retrofit (B)		
Stick Length	2.80 m (9'2")	3.20 m (10'6")	3.90 m (12'10")	2.80 m (9'2")	3.20 m (10'6")	2.80 m (9'2")	3.20 m (10'6")	3.90 m (12'10")
G332	✓	✓	✓	✓	✓	✓	✓	✓
G345	✓	✓	✓*			✓	✓	✓

CW-45 Dedicated Coupler, continued

Undercarriage	H-VG		
Counterweight	9.0 mt		
Boom Type	Retrofit (S)		
Stick Length	2.80 m (9'2")	3.20 m (10'6")	3.90 m (12'10")
G332	✓	✓	✓
G345			

(continued on next page)

Demolition & Sorting Grapples for Tracked Excavators

Matching – Tracked Excavator (continued)

Match * Working range front only No Match

340 UHD, continued

S80 Dedicated Coupler

Undercarriage	L						H-VG	
Counterweight	9.0 mt						9.0 mt	
Boom Type	Retrofit (B)			Retrofit (S)			Retrofit (B)	
Stick Length	2.80 m (9'2")	3.20 m (10'6")	3.90 m (12'10")	2.80 m (9'2")	3.20 m (10'6")	3.90 m (12'10")	2.80 (9'2")	3.20 m (10'6")
G332	✓	✓	✓	✓	✓	✓*	✓	✓
G345	✓	✓	✓*				✓	✓

S80 Dedicated Coupler, continued

Undercarriage	H-VG			
Counterweight	9.0 mt			
Boom Type	Retrofit (B)	Retrofit (S)		
Stick Length	3.90 m (12'10")	2.80 m (9'2")	3.20 m (10'6")	3.90 m (12'10")
G332	✓	✓	✓	✓
G345	✓		✓	✓

345 GC

Pin-on

Undercarriage	-			
Counterweight	9.0 mt			
Boom Type	Reach HD		ME	
Stick Length	2.90 m HD (9'6")	3.35 m HD (11'0")	2.50 m (8'2")	3.00 m (9'10")
G345	✓	✓	✓	✓

Pin Grabber Coupler

Undercarriage	-	
Counterweight	9.0 mt	
Boom Type	Reach HD	
Stick Length	2.90 m HD (9'6")	3.35 m HD (11'0")
G345	✓	✓

CW-55 Dedicated Coupler

Undercarriage	-			
Counterweight	9.0 mt			
Boom Type	Reach HD		ME	
Stick Length	2.90 m HD (9'6")	3.35 m HD (11'0")	2.50 m (8'2")	3.00 m (9'10")
G345	✓	✓	✓	✓

349D2

Pin-on

Undercarriage	-				L-FIX			
Counterweight	-				-			
Boom Type	Reach HD		ME		Reach HD		ME	
Stick Length	3.35 m HD (11'0")	3.90 m HD (12'10")	2.50 m (8'2")	3.00 m (9'10")	3.35 m HD (11'0")	3.90 m HD (12'10")	2.50 m (8'2")	3.00 m (9'10")
G345	✓	✓	✓	✓	✓	✓	✓	✓

(continued on next page)

Demolition & Sorting Grapples for Tracked Excavators

Matching – Tracked Excavator (continued)

Match * Working range front only No Match

349D2, continued

Pin Grabber Coupler

Undercarriage	-		L-FIX	
Counterweight	-		-	
Boom Type	Reach HD		Reach HD	
Stick Length	3.35 m HD (11'0")	3.90 m HD (12'10")	3.35 m HD (11'0")	3.90 m HD (12'10")
G345	✓	✓	✓	✓

CW-55 Dedicated Coupler

Undercarriage	-				L-FIX			
Counterweight	-				-			
Boom Type	Reach HD		ME		Reach HD		ME	
Stick Length	3.35 m HD (11'0")	3.90 m HD (12'10")	2.50 m (8'2")	3.00 m (9'10")	3.35 m HD (11'0")	3.90 m HD (12'10")	2.50 m (8'2")	3.00 m (9'10")
G345	✓	✓	✓	✓	✓	✓	✓	✓

349E

Pin-on

Undercarriage	L-FIX				L-VG			
Counterweight	-				-			
Boom Type	Reach HD		Long-Reach	ME		Reach HD		
Stick Length	2.90 m HD (9'6")	3.35 m HD (11'0")	3.90 m HD (12'10")	4.30 m HD (14'1")	2.50 m (8'2")	3.00 m (9'10")	2.90 m HD (9'6")	3.35 m HD (11'0")
G345	✓	✓	✓	✓	✓	✓	✓	✓

Pin-on, continued

Undercarriage	L-VG			
Counterweight	-			
Boom Type	Reach HD	Long-Reach	ME	
Stick Length	3.90 m HD (12'10")	4.30 m HD (14'1")	2.50 m (8'2")	3.00 m (9'10")
G345	✓	✓	✓	✓

Pin Grabber Coupler

Undercarriage	L-FIX				L-VG			
Counterweight	-				-			
Boom Type	Reach HD		Long-Reach	Reach HD		Long-Reach		
Stick Length	2.90 m HD (9'6")	3.35 m HD (11'0")	3.90 m HD (12'10")	4.30 m HD (14'1")	2.90 m HD (9'6")	3.35 m HD (11'0")	3.90 m HD (12'10")	4.30 m HD (14'1")
G345	✓	✓	✓	✓*	✓	✓	✓	✓

CW-55 Dedicated Coupler

Undercarriage	L-FIX				L-VG			
Counterweight	-				-			
Boom Type	Reach HD		ME		Reach HD		ME	
Stick Length	2.90 m HD (9'6")	3.35 m HD (11'0")	2.50 m (8'2")	3.00 m (9'10")	2.90 m HD (9'6")	3.35 m HD (11'0")	2.50 m (8'2")	3.00 m (9'10")
G345	✓	✓	✓	✓	✓	✓	✓	✓

(continued on next page)

Demolition & Sorting Grapples for Tracked Excavators

Matching – Tracked Excavator (continued)

Match * Working range front only No Match

349F

Pin-on

Undercarriage	L-FIX				
Counterweight	-				
Boom Type	Reach HD		Long-Reach	ME	
Stick Length	3.40 m HD (11'2")	3.90 m HD (12'10")	4.30 m HD (14'1")	2.50 m (8'2")	3.00 m (9'10")
G345	✓	✓	✓	✓	✓

Pin Grabber Coupler

Undercarriage	L-FIX		
Counterweight	-		
Boom Type	Reach HD		Long-Reach
Stick Length	3.40 m HD (11'2")	3.90 m HD (12'10")	4.30 m HD (14'1")
G345	✓	✓	✓*

349F XE

Pin-on

Undercarriage	L-FIX				
Counterweight	-				
Boom Type	Reach HD		Long-Reach	ME	
Stick Length	3.40 m HD (11'2")	3.90 m HD (12'10")	4.30 m HD (14'1")	2.50 m (8'2")	3.00 m (9'10")
G345	✓	✓	✓	✓	✓

Pin Grabber Coupler

Undercarriage	L-FIX		
Counterweight	-		
Boom Type	Reach HD		Long-Reach
Stick Length	3.40 m HD (11'2")	3.90 m HD (12'10")	4.30 m HD (14'1")
G345	✓	✓	✓*

349

Pin-on

Undercarriage	L					
Counterweight	9.0 mt					
Boom Type	Reach HD			Long-Reach	ME	
Stick Length	2.90 m HD (9'6")	3.35 m HD (11'0")	3.90 m HD (12'10")	4.30 m HD (14'1")	2.50 m (8'2")	3.00 m (9'10")
G345	✓	✓	✓	✓	✓	✓

Pin Grabber Coupler

Undercarriage	L					
Counterweight	9.0 mt					
Boom Type	Reach HD			Long-Reach	ME	
Stick Length	2.90 m HD (9'6")	3.35 m HD (11'0")	3.90 m HD (12'10")	4.30 m HD (14'1")	2.50 m (8'2")	3.00 m (9'10")
G345	✓	✓	✓	✓*	✓	✓

(continued on next page)

Demolition & Sorting Grapples for Tracked Excavators

Matching – Tracked Excavator (continued)

Match * Working range front only No Match

349, continued

CW-55 Dedicated Coupler

Undercarriage	L			
Counterweight	9.0 mt			
Boom Type	Reach HD		ME	
Stick Length	2.90 m HD (9'6")	3.35 m HD (11'0")	2.50 m (8'2")	3.00 m (9'10")
G345	✓	✓	✓	✓

350

Pin-on

Undercarriage	L				
Counterweight	9.0 mt				
Boom Type	Reach HD			ME HD	
Stick Length	3.90 m (12'10")	2.90 m HD (9'6")	3.35 m HD (11'0")	2.50 m HD (8'2")	3.00 m HD (9'10")
G345	✓	✓	✓	✓	✓

Pin-on, continued

Undercarriage	L				
Counterweight	9.0 mt				
Boom Type	Reach			ME	
Stick Length	2.90 m (9'6")	3.35 m (11'0")	3.90 m (12'10")	2.50 m (8'2")	3.00 m (9'10")
G345	✓	✓	✓	✓	✓

Cat Pin Grabber Coupler

Undercarriage	L				
Counterweight	9.0 mt				
Boom Type	Reach HD			ME HD	
Stick Length	3.90 m (12'10")	2.90 m HD (9'6")	3.35 m HD (11'0")	2.50 m HD (8'2")	3.00 m HD (9'10")
G345	✓	✓	✓	✓	✓

Cat Pin Grabber Coupler, continued

Undercarriage	L				
Counterweight	9.0 mt				
Boom Type	Reach			ME	
Stick Length	2.90 m (9'6")	3.35 m (11'0")	3.90 m (12'10")	2.50 m (8'2")	3.00 m (9'10")
G345	✓	✓	✓	✓	✓

CW-55 Dedicated Coupler

Undercarriage	L				
Counterweight	9.0 mt				
Boom Type	Reach HD			ME HD	
Stick Length	3.90 m (12'10")	2.90 m HD (9'6")	3.35 m HD (11'0")	2.50 m HD (8'2")	3.00 m HD (9'10")
G345	✓	✓	✓	✓	✓

CW-55 Dedicated Coupler, continued

Undercarriage	L			
Counterweight	9.0 mt			
Boom Type	Reach		ME	
Stick Length	2.90 m (9'6")	3.35 m (11'0")	2.50 m (8'2")	3.00 m (9'10")
G345	✓	✓	✓	✓

(continued on next page)

Demolition & Sorting Grapples for Tracked Excavators

Matching – Tracked Excavator (continued)

Match * Working range front only No Match

352F

Pin-on

Undercarriage	L-VG					
Counterweight	-					
Boom Type	Reach HD			Long-Reach	ME	
Stick Length	2.90 m HD (9'6")	3.40 m HD (11'2")	3.90 m HD (12'10")	4.30 m HD (14'1")	2.50 m (8'2")	3.00 m (9'10")
G345	✓	✓	✓	✓	✓	✓

Pin Grabber Coupler

Undercarriage	L-VG			
Counterweight	-			
Boom Type	Reach HD			Long-Reach
Stick Length	2.90 m HD (9'6")	3.40 m HD (11'2")	3.90 m HD (12'10")	4.30 m HD (14'1")
G345	✓	✓	✓	✓

CW-55 Dedicated Coupler

Undercarriage	L-VG			
Counterweight	-			
Boom Type	Reach HD		ME	
Stick Length	2.90 m HD (9'6")	3.40 m HD (11'2")	2.50 m (8'2")	3.00 m (9'10")
G345	✓	✓	✓	✓

352F XE

Pin-on

Undercarriage	L-VG					
Counterweight	-					
Boom Type	Reach HD			Long-Reach	ME	
Stick Length	2.90 m HD (9'6")	3.40 m HD (11'2")	3.90 m HD (12'10")	4.30 m HD (14'1")	2.50 m (8'2")	3.00 m (9'10")
G345	✓	✓	✓	✓	✓	✓

Pin Grabber Coupler

Undercarriage	L-VG			
Counterweight	-			
Boom Type	Reach HD			Long-Reach
Stick Length	2.90 m HD (9'6")	3.40 m HD (11'2")	3.90 m HD (12'10")	4.30 m HD (14'1")
G345	✓	✓	✓	✓

CW-55 Dedicated Coupler

Undercarriage	L-VG			
Counterweight	-			
Boom Type	Reach HD		ME	
Stick Length	2.90 m HD (9'6")	3.40 m HD (11'2")	2.50 m (8'2")	3.00 m (9'10")
G345	✓	✓	✓	✓

(continued on next page)

Demolition & Sorting Grapples for Tracked Excavators

Matching – Tracked Excavator (continued)

Match * Working range front only No Match

352

Pin-on

Undercarriage	L-VG					
Counterweight	9.0 mt					
Boom Type	Reach HD			Long-Reach	ME	
Stick Length	2.90 m HD (9'6")	3.35 m HD (11'0")	3.90 m HD (12'10")	4.30 m HD (14'1")	2.50 m (8'2")	3.00 m (9'10")
G345	✓	✓	✓	✓	✓	✓

Pin Grabber Coupler

Undercarriage	L-VG					
Counterweight	9.0 mt					
Boom Type	Reach HD			Long-Reach	ME	
Stick Length	2.90 m HD (9'6")	3.35 m HD (11'0")	3.90 m HD (12'10")	4.30 m HD (14'1")	2.50 m (8'2")	3.00 m (9'10")
G345	✓	✓	✓	✓	✓	✓

CW-55 Dedicated Coupler

Undercarriage	L-VG				
Counterweight	9.0 mt				
Boom Type	Reach HD		Long-Reach	ME	
Stick Length	2.90 m HD (9'6")	3.35 m HD (11'0")	4.30 m HD (14'1")	2.50 m (8'2")	3.00 m (9'10")
G345	✓	✓	✓	✓	✓

352 UHD

Pin-on

Undercarriage	H-VG			
Counterweight	12.0 mt			
Boom Type	Retrofit (B)		Retrofit (S)	
Stick Length	2.90 m HD (9'6")	3.35 m HD (11'0")	2.90 m HD (9'6")	3.35 m HD (11'0")
G345	✓	✓	✓	✓

Pin Grabber Coupler

Undercarriage	H-VG			
Counterweight	12.0 mt			
Boom Type	Retrofit (B)		Retrofit (S)	
Stick Length	2.90 m HD (9'6")	3.35 m HD (11'0")	2.90 m HD (9'6")	3.35 m HD (11'0")
G345	✓	✓	✓	✓

CW-55 Dedicated Coupler

Undercarriage	H-VG			
Counterweight	12.0 mt			
Boom Type	Retrofit (B)		Retrofit (S)	
Stick Length	2.90 m HD (9'6")	3.35 m HD (11'0")	2.90 m HD (9'6")	3.35 m HD (11'0")
G345	✓	✓	✓	✓

For more complete information on Cat products, dealer services, and industry solutions, visit us on the web at www.cat.com.

© 2022 Caterpillar
All rights reserved

Materials and specifications are subject to change without notice. Featured machines in photos may include additional equipment. See your Cat dealer for available options.

CAT, CATERPILLAR, LET'S DO THE WORK, their respective logos, "Caterpillar Corporate Yellow", the "Power Edge" and Cat "Modern Hex" trade dress as well as corporate and product identity used herein, are trademarks of Caterpillar and may not be used without permission.

GEJQ9393-01 (07-2022)
Replaces GEJQ9393-00
(AME, ANZ, CIS, EU,
N Am, Pacific, S Am, Turkey)

